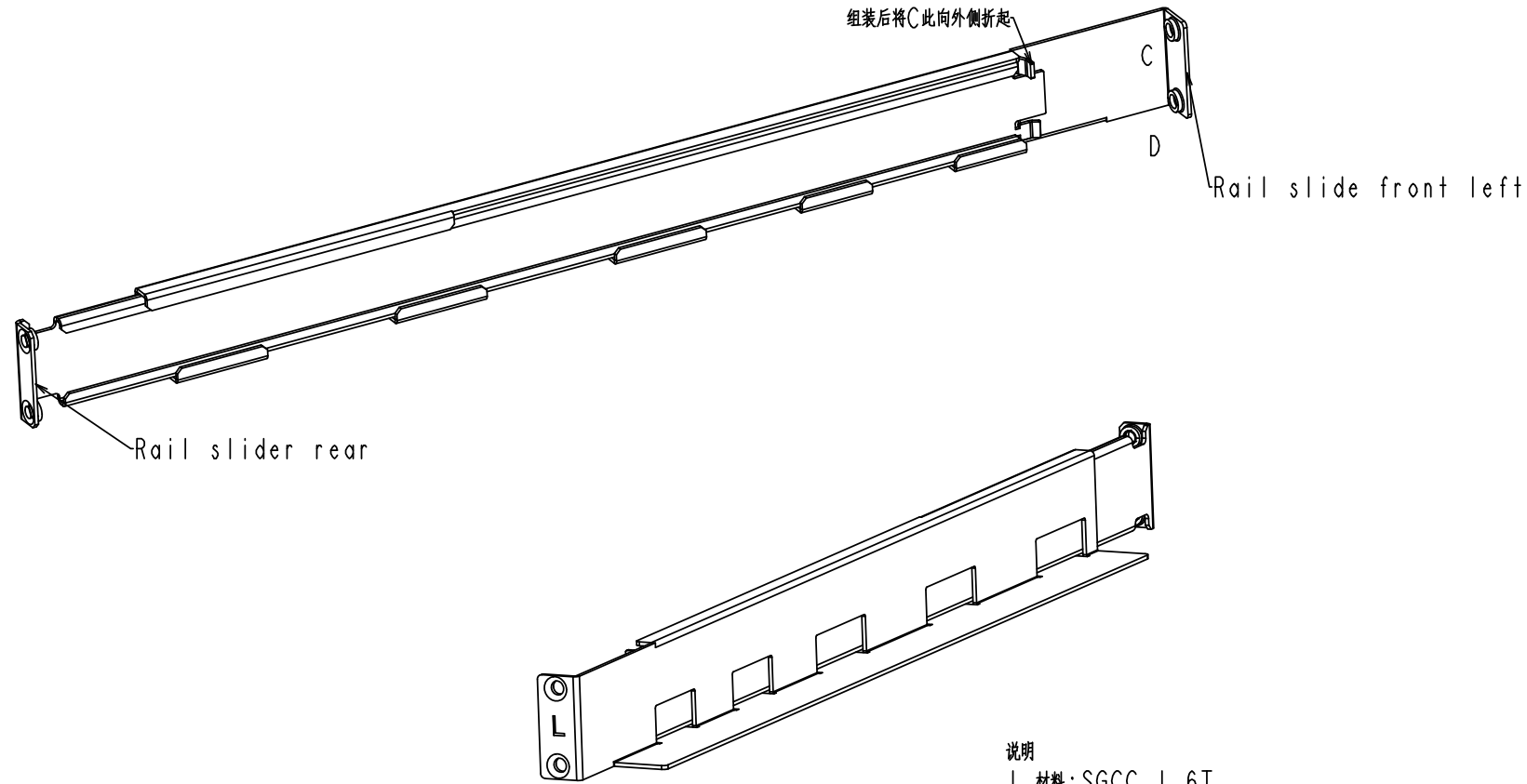


THE INFORMATION CONTAINED IN THIS DRAWING IS THE SOLE PROPERTY OF VOLTRONIC POWER CORPORATION ANY REPRODUCTION IN PART OR WHOLE WITHOUT THE WRITTEN PERMISSION OF VOLTRONIC POWER CORPORATION IS PROHIBITED.

REV.	ECN NO.	APPD.

CECN-141002500  
切口防锈说明注意.



- 说明
1. 材料: SGCC 1.6T
  2. 表面处理: 切刀口须防锈处理 不喷漆;
  3. REMARK "\*" IS IMPORTANT DIMENSIONS.

DIMENSION	VOLTRONIC TOLERANCES STANDARD V-POW-008-06 (Sheet metal)			
	GRADE			
	I	II	III	IV
0.5<L≤3	±0.05	±0.1	±0.2	---
3<L≤6	±0.05	±0.1	±0.3	±0.5
6<L≤30	±0.1	±0.2	±0.5	±1.0
30<L≤120	±0.15	±0.3	±0.8	±1.5
120<L≤400	±0.2	±0.5	±1.2	±2.5
400<L≤1000	±0.3	±0.8	±2.0	±4.0
1000<L≤2000	±0.5	±1.2	±3.0	±6
>2000	---	±2.0	±4.0	±8.0
TOLERANCE GRADE	II			
Angle tolerance: ±0.5°				

X.	X.
.X	.X
.XX	.XX
PROPRIETARY NOTE THESE DRAWINGS AND SPECIFICATION ARE THE PROPERTY OF VOLTRONIC POWER ELECTRONICS CO., LTD AND SHALL NOT BE REPRODUCED OR DISCLOSED TO OTHERS WITHOUT THE PRIOR WRITTEN CONSENT OF VOLTRONIC POWER ELECTRONICS CO., LTD.	

UNIT: MILIMETER
MAT'L SGCC 1.6T
FINISH: SEE SPEC DESCRIPTION

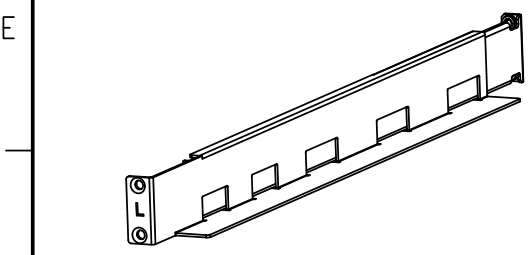
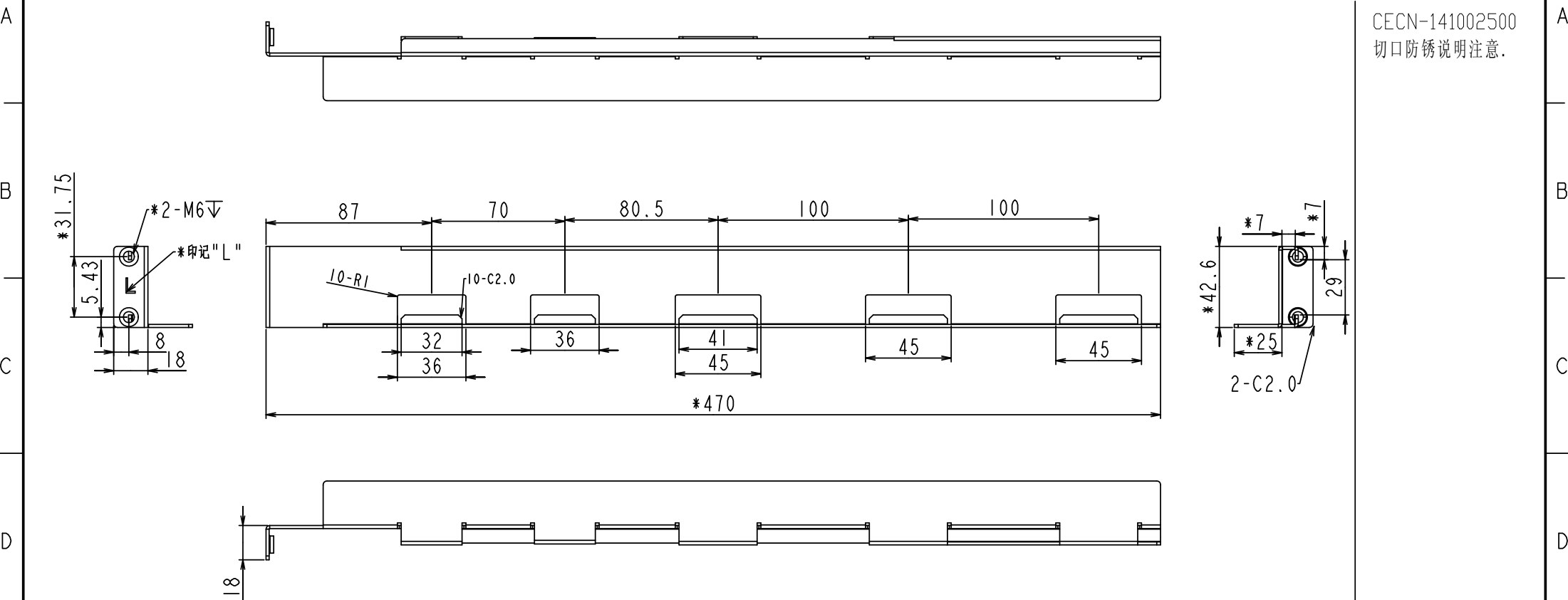
PART NO. 32-310146-00G(A)	
TITLE: SLIDE UNIT LEFT GALLEON RM	
APPRD:	DATE:
CHECK:	DATE:
DESIGN: Qqing	DATE: 2014.10.15

DWG NO.		DWG NO.
PAPER SCALE	SHEET	REV
1:2	1/3	00

THE INFORMATION CONTAINED IN THIS DRAWING IS THE SOLE PROPERTY OF VOLTRONIC POWER CORPORATION ANY REPRODUCTION IN PART OR WHOLE WITHOUT THE WRITTEN PERMISSION OF VOLTRONIC POWER CORPORATION IS PROHIBITED.

REV.	ECN NO.	APPD.

CECN-141002500  
切口防锈说明注意.



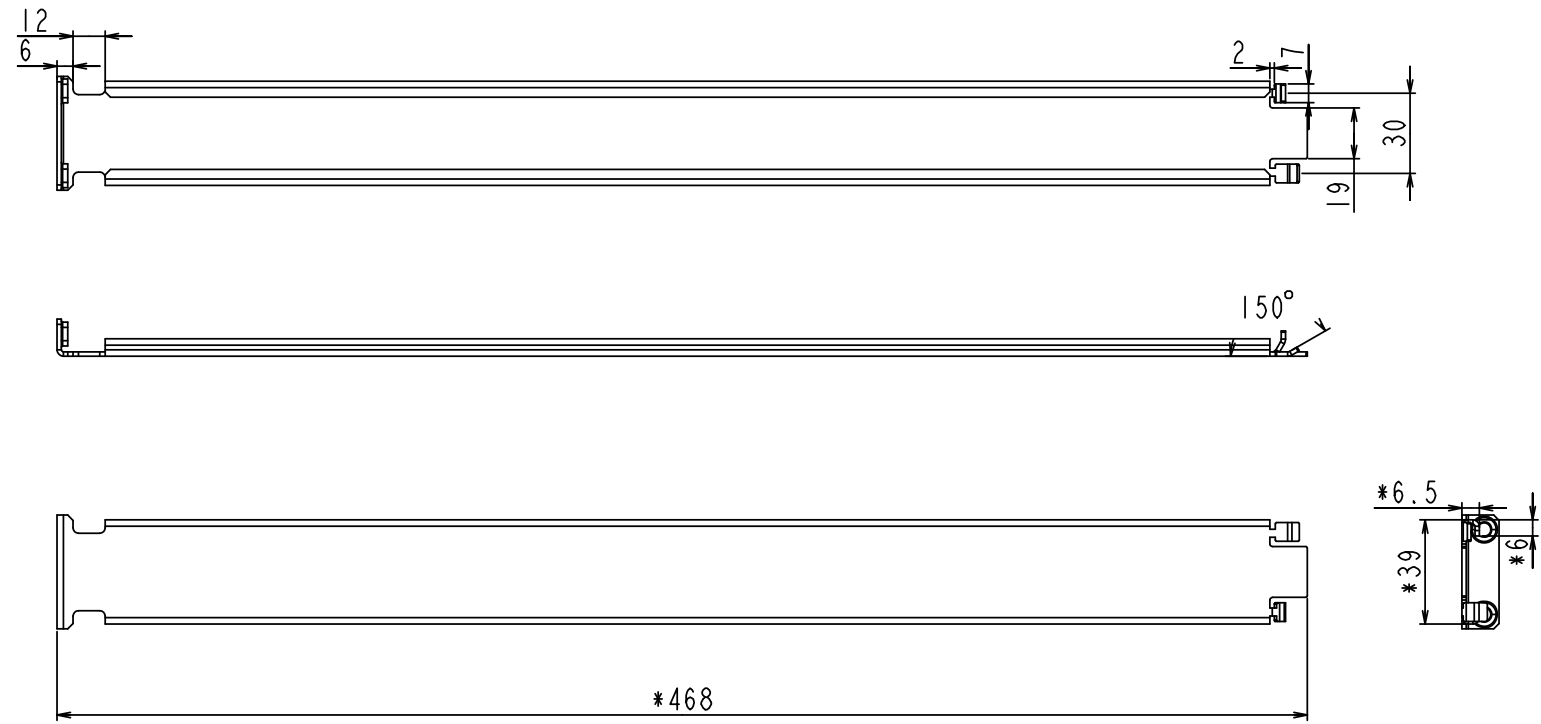
DIMENSION	GRADE			
	I	II	III	IV
0.5<L≤3	±0.05	±0.1	±0.2	---
3<L≤6	±0.05	±0.1	±0.3	±0.5
6<L≤30	±0.1	±0.2	±0.5	±1.0
30<L≤120	±0.15	±0.3	±0.8	±1.5
120<L≤400	±0.2	±0.5	±1.2	±2.5
400<L≤1000	±0.3	±0.8	±2.0	±4.0
1000<L≤2000	±0.5	±1.2	±3.0	±6
>2000	---	±2.0	±4.0	±8.0
TOLERANCE GRADE	II			
Angle tolerance: ±0.5°				

VOLTRONIC TOLERANCES STANDARD V-POW-008-06 (Sheet metal)	X.	X.		PART NO.		
	.X	.X		32-310146-00G(A)		
	.XX	.XX	UNIT:	TITLE:		DWG NO. <span style="float:right">DWG NO.</span>
			MILIMETER	SLIDE UNIT LEFT GALLEON RM		
	PROPRIETARY NOTE THESE DRAWINGS AND SPECIFICATION ARE THE PROPERTY OF VOLTRONIC POWER ELECTRONICS CO., LTD AND SHALL NOT BE REPRODUCED OR DISCLOSED TO OTHERS WITHOUT THE PRIOR WRITTEN CONSENT OF VOLTRONIC POWER ELECTRONICS CO., LTD.		MAT'L	APPRD:	DATE:	PAPER SCALE SHEET REV
			SEE SPEC DESCRIPTION	66CC 1.6T	CHECK:	
			FINISH:	DESIGN: Qqing	DATE: 2014.10.15	1:2 2/3 00

THE INFORMATION CONTAINED IN THIS DRAWING IS THE SOLE PROPERTY OF VOLTRONIC POWER CORPORATION ANY REPRODUCTION IN PART OR WHOLE WITHOUT THE WRITTEN PERMISSION OF VOLTRONIC POWER CORPORATION IS PROHIBITED.

REV.	ECN NO.	APPD.

CECN-141002500  
切口防锈说明注意.



DIMENSION	GRADE			
	I	II	III	IV
0.5<L≤3	±0.05	±0.1	±0.2	---
3<L≤6	±0.05	±0.1	±0.3	±0.5
6<L≤30	±0.1	±0.2	±0.5	±1.0
30<L≤120	±0.15	±0.3	±0.8	±1.5
120<L≤400	±0.2	±0.5	±1.2	±2.5
400<L≤1000	±0.3	±0.8	±2.0	±4.0
1000<L≤2000	±0.5	±1.2	±3.0	±6
>2000	---	±2.0	±4.0	±8.0
TOLERANCE GRADE	II			
Angle tolerance: ±0.5°				

PROPRIETARY NOTE  
THESE DRAWINGS AND SPECIFICATION ARE THE PROPERTY OF VOLTRONIC POWER ELECTRONICS CO., LTD AND SHALL NOT BE REPRODUCED OR DISCLOSED TO OTHERS WITHOUT THE PRIOR WRITTEN CONSENT OF VOLTRONIC POWER ELECTRONICS CO., LTD.

PART NO. 32-310146-00G(A)		TITLE: SLIDE UNIT LEFT GALLEON RM	
APPRD:	DATE:	DWG NO.	
CHECK:	DATE:	DWG NO.	
DESIGN: Qqing	DATE: 2014.10.15	PAPER SCALE	SHEET
		1:2	3/3
			REV
			00

