

# M116TG

## 11.6" Windows Rugged Tablet with Intel® Core™ i5-1135G7



### KEY FEATURES

- 11.6" 1920 x 1080, 850 nits IPS LED Panel with direct optical bonding
- Intel® Core™ i5-1135G7 Tiger Lake processor
- IP65 waterproof and dustproof, MIL-STD-810H shock, vibration and drop resistance
- Sunlight readable with antiglare solution
- Hotswappable battery design
- USB Type-C port support power delivery 20V In

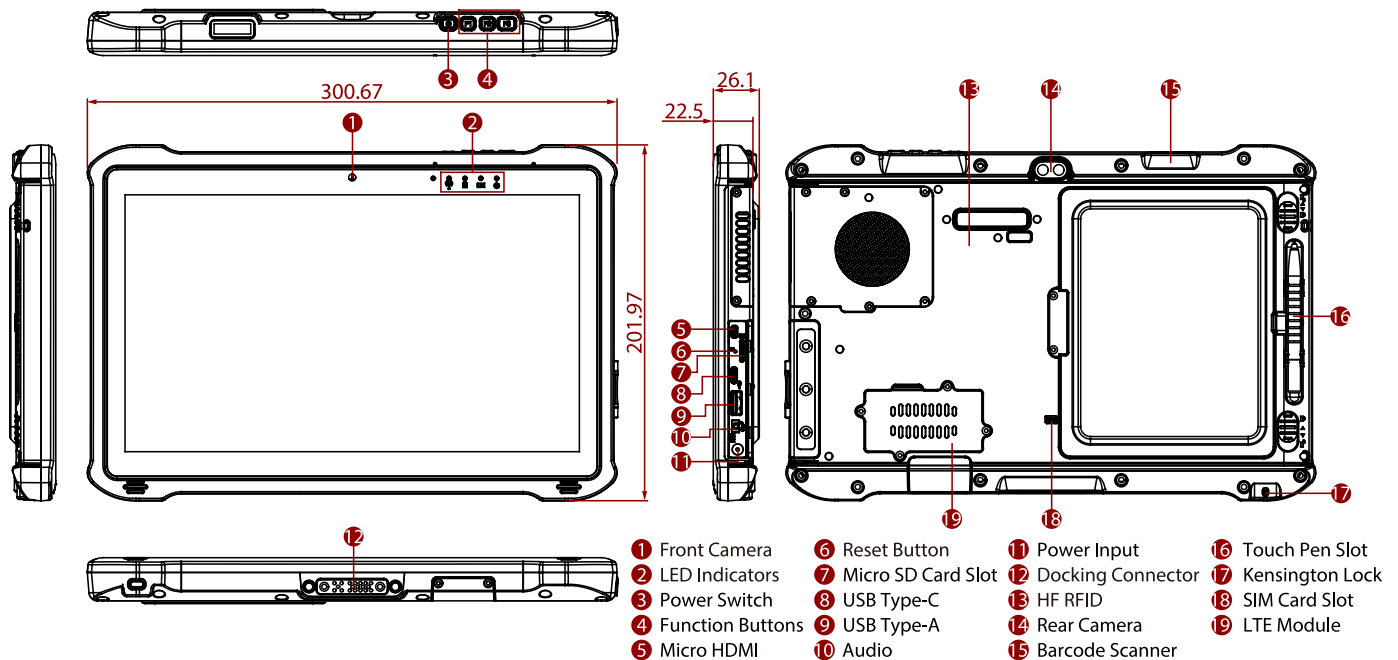


### SPECIFICATIONS

Display			
<b>Bonding</b>	Optical Bonding for Sunlight Viewability	<b>Resolution</b>	1920x1080
<b>Size</b>	11.6 inches	<b>Contrast Ratio</b>	1000:1
<b>Panel Brightness</b>	850.0 nits	<b>View Angles</b>	85,85,85,85
<b>Type</b>	Projected Capacitive Multi Touch	<b>Viewability</b>	Anti-Glare touch treatment
<b>Touch Mode</b>	Support Hand/Rain, Stylus, Glove Mode		
System Specification			
<b>Processor</b>	Intel Core i5-1135G7 2.4GHz (up to 4.2GHz)	<b>Memory</b>	4GB DDR4 SDRAM 8GB DDR4 SDRAM (Optional) 16GB DDR4 SDRAM (Optional) 32GB DDR4 SDRAM (Optional)
<b>Storage</b>	128GB SSD Additional storage available with micro SDXC card slot 256GB SSD (Optional) 512GB SSD (Optional) 1TB SSD (Optional) 2TB SSD (Optional)	<b>Security</b>	Trusted Platform Module (TPM) 2.0 Kensington Lock
<b>Operating System</b>	Windows 10 IoT Enterprise LTSC (64 bit) Windows 11 IoT Enterprise SAC (64 bit) (Optional)	<b>WLAN</b>	Support
<b>BT</b>	Support	<b>WWAN</b>	4G LTE (Optional)
<b>GNSS</b>	GPS, GLONASS	<b>RFID</b>	HF RFID reader 13.56 MHz (Optional)
<b>Sensors</b>	Light sensor/ G-sensor / Gyro		
Camera			
<b>Front Camera</b>	2MP Front Camera	<b>Rear Camera</b>	8MP Rear Camera with auto-focus and LED light
Mechanical			
<b>Dimension</b>	300.67 x 201.97 x 22.5 mm	<b>Weight</b>	1.5 kg (3.3 lbs) with standard battery
<b>Cooling System</b>	Fan design		
IO Ports			
<b>USB Port</b>	1 x USB 3.0 (Type A), 1 x USB 3.0 (Type-C) support Power Delivery 20V In)	<b>SD Card Slot</b>	1 x Micro SDXC slot
<b>SIM Card Slot</b>	1 x Micro SIM card slot	<b>Video</b>	1 x Micro HDMI (Optional)
<b>Audio</b>	1 x Audio combo 3.5mm audio combo jack Dual Digital Mic With Noise Cancellation	<b>LAN</b>	1 x RJ45-10/100/1000 GigaLAN port (Optional)

<b>Indicator</b>	4x LED Indicator for Power, Battery, HDD, RF status	<b>Docking Connector</b>	1 x 19-pin docking connector
<b>Environment</b>			
<b>Operating Humidity</b>	10% to 90% RH, non-condensing	<b>Operating Temperature</b>	-20°C to 60°C (AC mode), -10°C to 50°C (Battery mode)
<b>Storage Temperature</b>	-30°C to 70°C (-22°F to 158°F)	<b>Shock</b>	MIL-STD-810H Method 516.8 Procedure I
<b>Vibration</b>	MIL-STD-810H Method 514.8 Procedure I	<b>IP rating</b>	IP65
<b>Drop</b>	MIL-STD-810H Method 516.8, 4 ft		
<b>Certification</b>			
<b>Certification</b>	CE, FCC		
<b>Security Function</b>			
<b>SOTI MobiControl</b>	SOTI MobiControl Compliance	<b>Kensington Lock</b>	Kensington Lock Support
<b>Control</b>			
<b>Button</b>	1 x Power, 3 x function keys		
<b>Power</b>			
<b>Battery</b>	Hot-swappable 10.8V, typ. 4700 mAh Li-Polymer Battery (3S2P)	<b>Battery Operating Time</b>	Standard. Battery: 8 hours
<b>Power Rating</b>	19V DC	<b>Adapter</b>	100-240V, 50-60Hz / 19V DC
<b>Accessory</b>			
<b>Accessory</b>	Adapter and Power Cord Capacitive Stylus Standard Battery	<b>Optional Accessory</b>	Desk Dock (Optional) Vehicle Dock (Optional) Vehicle Cradle (Optional) Vehicle Charger (Optional) High Capacity Battery (Optional) Hand Strap (Optional) Shoulder Strap (Optional) Carry Bag (Optional)
<b>Barcode Scanner</b>			
<b>Barcode Scanner</b>	1D/2D barcode reader (Optional)		

## DIMENSIONS UNIT:MM



## NOTE

1. This is a simplified drawing and some components are not marked in detail.
2. Please contact our sales representative if you need further product information.
3. All specifications are subject to change without prior notice.
4. The product shown in this datasheet is a standard model. For diagrams that contain customized or optional I/O, please contact the Winmate Sales Team for more information.

# Tento produkt můžete zakoupit u společnosti AutoCont IPC a.s.



## AutoCont IPC a.s.

Váš dodavatel průmyslových počítačů, komponent a speciálních průmyslových IT systémů.

 Uhlířská 1064/3, 710 00 Ostrava, Česká republika

 obchod@autocont-ipc.cz

 +420 552 301 002

 [www.autocont-ipc.cz](http://www.autocont-ipc.cz)



### PRŮMYSLOVÉ POČÍTAČE

fanless embedded PC, do racku, ...



### POČÍTAČE S DISPLEJEM

panelové PC, terminály, do vozidel, ...



### AUTOMATIZACE A SBĚR DAT

převodníky, karty, moduly, switche, ...



### PERIFERIE A KOMPONENTY

monitory, klávesnice, desky, skříně, ...



### NOTEBOOKY A TABLETY

odolné, windows, android, IP65, ...



### INFORMAČNÍ KIOSKY

interiérové, venkovní, ...



### MEDICÍNSKÁ TECHNIKA

počítače, tablety, LCD, klávesnice, ...



### SOFTWAREVÁ ŘEŠENÍ

pro výrobu, zaměstnance, kiosky, ...



### PŘEJÍT DO E-SHOPU

[eshop.autocont-ipc.cz](http://eshop.autocont-ipc.cz)



### DOPRAVA ZDARMA

Doprava zdarma v ČR a SR při objednávce nad 10 000 Kč bez DPH nebo nad 400 EUR.



### PRODLOUŽENÁ ZÁRUKA

Záruka 2 roky na vyráběné počítače s možností jejího prodloužení až na 5 let.



### ODMĚNA ZA VĚRNOST

Pravidelní zákazníci u nás nakupují za nižší ceny. Výše slevy se odvíjí od realizovaného obrátu.



### SERVIS ON-SITE A IN-TIME

K projektovým dodávkám nabízíme rozšířenou podporu a servis s garancí výměny zařízení do 48 hodin.