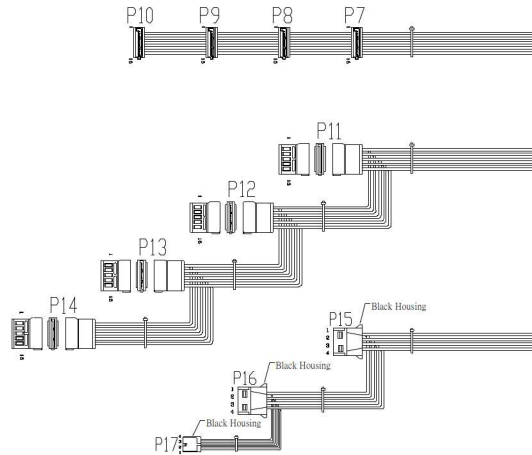
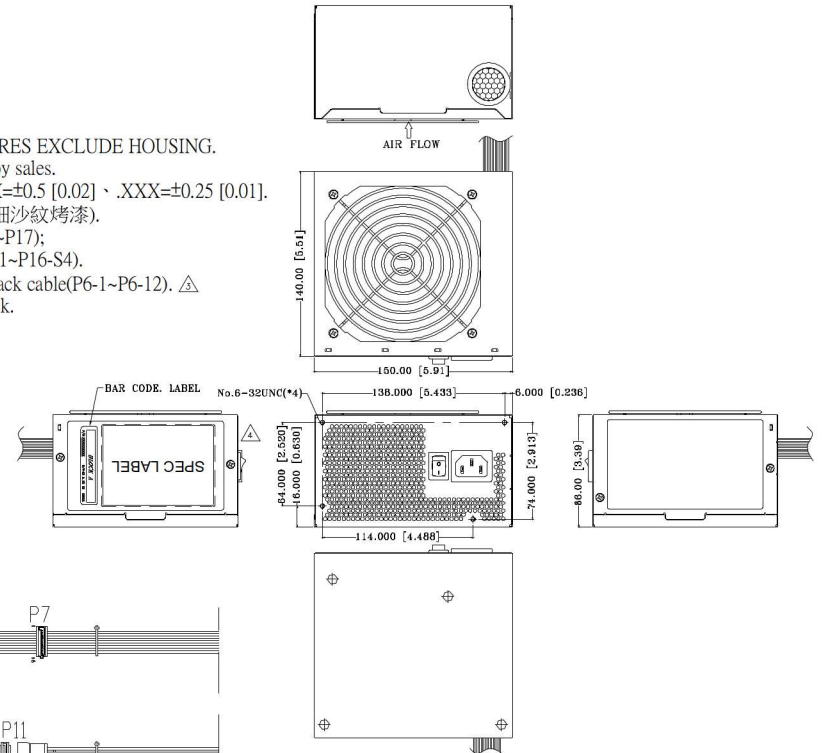
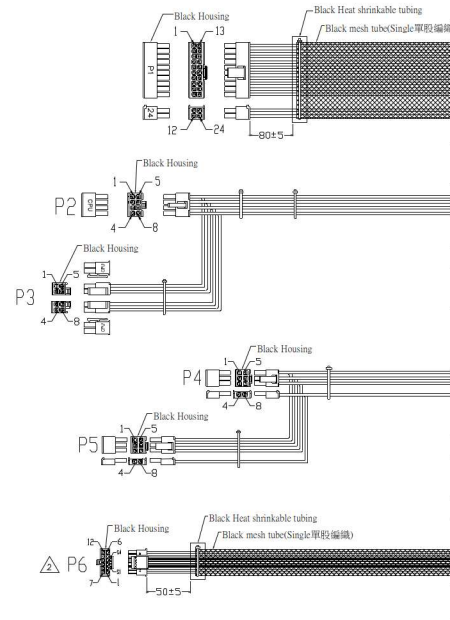


REF. ID.	PIN NO.	SIGNAL	WIRE COL OR	GAUGE	CONNECTOR TYPE	CABLE LENGTH	
P1 /24	1	+3.3VDC	ORANGE	18	WST P20-142002K11D-B +P4-142002K11D-B or EQUIV.	550±10mm	
	2	+3.3VDC	ORANGE	18			
	3	COM	BLACK	18			
	4	+5VDC	RED	18			
	5	COM	BLACK	18			
	6	+5VDC	RED	18			
	7	COM	BLACK	18			
	8	PW_OK	GRAY	24			
	9	+5Vsb	PURPLE	20			
	10	+12V	YELLOW	18			
	11	+12V	YELLOW	18			
	12	+3.3VDC	ORANGE	18			
	13	+3.3VDC	ORANGE	18			
	14	-12VDC	BLUE	24			
	15	COM	BLACK	18			
	16	PS_ON#	GREEN	24			
	17	COM	BLACK	18			
	18	COM	BLACK	18			
	19	COM	BLACK	18			
	20						
	21	+5VDC	RED	18			
	22	+5VDC	RED	18			
	23	+5Vsense	RED	24			
	24	+5VDC	RED	18			
P2	1	COM	BLACK	18	MOLEX 39-01-2080 or EQUIV.	600±10mm	
	2	COM	BLACK	18			
	3	COM	BLACK	18			
	4	COM	BLACK	18			
	5	+12V	YELLOW	18			
P3	1	COM	BLACK	20	WST P4-142002BK3B + P4-142002BK4B or EQUIV.	150±10mm	
	2	COM	BLACK	20			
	3	COM	BLACK	20			
	4	COM	BLACK	20			
	5	+12V	YELLOW	20			
	6	+12V	YELLOW	20			
	7	+12V	YELLOW	20			
	8	+12V	YELLOW	20			
P4	1	+12V	YELLOW	18	WST P8-142002K21B-B or EQUIV.	500±10mm	
	2	+12V	YELLOW	18			
	3	+12V	YELLOW	18			
	4	COM	BLACK	18			
	5	COM	BLACK	18			
	6	COM	BLACK	18			
	7	COM	BLACK	18			
	8	COM	BLACK	18			
P5	1	+12V	YELLOW	20	WST P8-142002K21B-B or EQUIV.	155±10mm	
	2	+12V	YELLOW	20			
	3	+12V	YELLOW	20			
	4	COM	BLACK	20			
	5	COM	BLACK	20			
	6	COM	BLACK	20			
	7	COM	BLACK	20			
	8	COM	BLACK	20			
P6	1	+12V	BLACK	16	H#WST PD12-130009FS4Z-B	650±10mm	
	2	+12V	BLACK	16			
	3	+12V	BLACK	16			
	4	+12V	BLACK	16			
	5	+12V	BLACK	16			
	6	+12V	BLACK	16			
	7	COM	BLACK	16			
	8	COM	BLACK	16			
	9	COM	BLACK	16			
	10	COM	BLACK	16			
	11	COM	BLACK	16			
	12	COM	BLACK	16			
S1	CARD_PWR_STABLE	BLACK	28				
S2	CARD_CBL_PRES#	BLACK	28				
S3	SENSE0	BLACK	28				
S4	SENSE1	BLACK	28				

REF. ID.	PIN NO.	SIGNAL	WIRE COL OR	GAUGE	CONNECTOR TYPE	CABLE LENGTH
P7	1	+3.3VDC	ORANGE	18	MOLEX SD-67926-0011 or EQUIV.	500±10mm
	2	COM	BLACK	18		
	3	+5VDC	RED	18		
	4	COM	BLACK	18		
P8	1	+3.3VDC	ORANGE	18	MOLEX SD-67926-0011 or EQUIV.	50±10mm
P9	2	COM	BLACK	18		
P10	3	+5VDC	RED	18		
P11	1	+3.3VDC	ORANGE	18	MOLEX SD-67582-001 or EQUIV.	500±10mm
	2	COM	BLACK	18		
	3	+5VDC	RED	18		
	4	COM	BLACK	18		
	5	+12V	YELLOW	18		
P12	1	+3.3VDC	ORANGE	18	MOLEX SD-67582-001 or EQUIV.	155±10mm
	2	COM	BLACK	18		
	3	+5VDC	RED	18		
	4	COM	BLACK	18		
	5	+12V	YELLOW	18		
P13	1	+12V	YELLOW	18	AMP 1-480424-0 or EQUIV.	500±10mm
	2	COM	BLACK	18		
	3	COM	BLACK	18		
	4	+5VDC	RED	18		
P14	1	+12V	YELLOW	18	AMP 1-480424-0 or EQUIV.	155±10mm
	2	COM	BLACK	18		
	3	COM	BLACK	18		
	4	+5VDC	RED	18		
P15	1	+5VDC	RED	20	AMP 171822-4 or EQUIV.	155±10mm
	2	COM	BLACK	20		
	3	COM	BLACK	20		
	4	+12V	YELLOW	20		
P16	1	+12V	YELLOW	18	AMP 1-480424-0 or EQUIV.	155±10mm
	2	COM	BLACK	18		
	3	COM	BLACK	18		
	4	+5VDC	RED	18		
P17	1	+5VDC	RED	20	AMP 171822-4 or EQUIV.	155±10mm
	2	COM	BLACK	20		
	3	COM	BLACK	20		
	4	+12V	YELLOW	20		

NOTES:

1. ALL THE LENGTH OF OUTPUT WIRES EXCLUDE HOUSING.
2. Label of origin is marked if indicated by sales.
3. DIMENSIONAL TOLERANCES: .XX=±0.5 [0.02]、.XXX=±0.25 [0.01].
4. Case with Black GF20269 coating(黑細沙紋烤漆).
- △ 5. Cable used UL1007 cable(P1~P5、P7~P17);  
UL1007 black cable(P16-S1~P16-S4).
- Cable used SOFT軟線80P UL1569 black cable(P6-1~P6-12). △
6. Color of SCREW.CONNECTOR: Black.
7. FAN Guard is black coating.



修改版次	序號	修改事項	備註
△	1	P6修改為SOFT軟線 UL1569_16AWG黑色線 ; UL1007_28AWG黑色線	
△	1	配合線材圖修改外觀圖	
△	1	修改大標尺寸	

P/N.:9PA8507800

MODEL NO. :FSP850-50AEC		TITLE:ASSY	SHEET: 1 OF 1	REV:04
R&D 8	PE	DRAWN	DATE	
			OCT.31.2023	

UNIT:mm [inch]