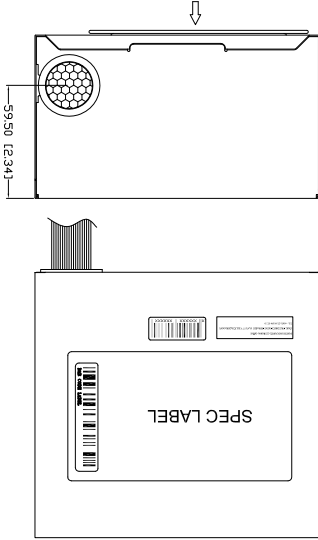
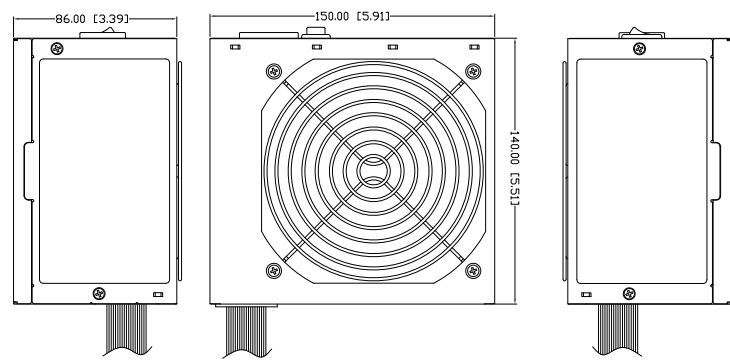
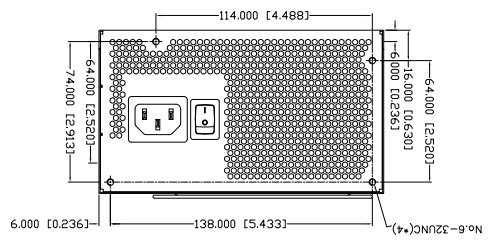
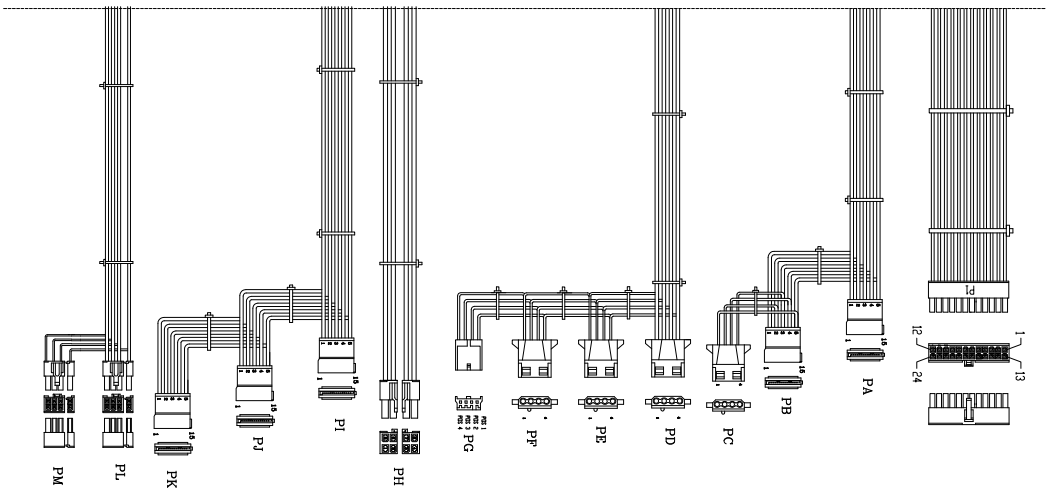


外觀圖



WIRE ID	NO.	PN	SIGNAL	WIRE COLOR	GAUGE	CONNECTION	CABLE LENGTH
P1	1	1	+5VDC	ORANGE	18	WATER SHIELD	550 ±0.8mm
	2	2	+5VDC	ORANGE	18	OR NGV	
	3	3	COM	BLACK	18	OR NGV	
	4	4	+5VDC	RED	18	OR NGV	
	5	5	COM	BLACK	18	OR NGV	
	6	6	+5VDC	RED	18	OR NGV	
	7	7	COM	BLACK	18	OR NGV	
	8	8	PS-ON	GRAY	24	OR NGV	
	9	9	+5VDC	PURPLE	20	OR NGV	
	10	10	+5VDC	YELLOW	20	OR NGV	
P2	1	1	+5VDC	ORANGE	18	OR NGV	550 ±0.8mm
	2	2	+5VDC	ORANGE	18	OR NGV	
	3	3	COM	BLACK	18	OR NGV	
	4	4	+5VDC	RED	18	OR NGV	
	5	5	COM	BLACK	18	OR NGV	
	6	6	+5VDC	RED	18	OR NGV	
	7	7	COM	BLACK	18	OR NGV	
	8	8	PS-ON	GRAY	24	OR NGV	
	9	9	+5VDC	PURPLE	20	OR NGV	
	10	10	+5VDC	YELLOW	20	OR NGV	
P3	1	1	+5VDC	ORANGE	18	OR NGV	550 ±0.8mm
	2	2	+5VDC	ORANGE	18	OR NGV	
	3	3	COM	BLACK	18	OR NGV	
	4	4	+5VDC	RED	18	OR NGV	
	5	5	COM	BLACK	18	OR NGV	
	6	6	+5VDC	RED	18	OR NGV	
	7	7	COM	BLACK	18	OR NGV	
	8	8	PS-ON	GRAY	24	OR NGV	
	9	9	+5VDC	PURPLE	20	OR NGV	
	10	10	+5VDC	YELLOW	20	OR NGV	
P4	1	1	+5VDC	ORANGE	18	OR NGV	550 ±0.8mm
	2	2	+5VDC	ORANGE	18	OR NGV	
	3	3	COM	BLACK	18	OR NGV	
	4	4	+5VDC	RED	18	OR NGV	
	5	5	COM	BLACK	18	OR NGV	
	6	6	+5VDC	RED	18	OR NGV	
	7	7	COM	BLACK	18	OR NGV	
	8	8	PS-ON	GRAY	24	OR NGV	
	9	9	+5VDC	PURPLE	20	OR NGV	
	10	10	+5VDC	YELLOW	20	OR NGV	
P5	1	1	+5VDC	ORANGE	18	OR NGV	550 ±0.8mm
	2	2	+5VDC	ORANGE	18	OR NGV	
	3	3	COM	BLACK	18	OR NGV	
	4	4	+5VDC	RED	18	OR NGV	
	5	5	COM	BLACK	18	OR NGV	
	6	6	+5VDC	RED	18	OR NGV	
	7	7	COM	BLACK	18	OR NGV	
	8	8	PS-ON	GRAY	24	OR NGV	
	9	9	+5VDC	PURPLE	20	OR NGV	
	10	10	+5VDC	YELLOW	20	OR NGV	
P6	1	1	+5VDC	ORANGE	18	OR NGV	550 ±0.8mm
	2	2	+5VDC	ORANGE	18	OR NGV	
	3	3	COM	BLACK	18	OR NGV	
	4	4	+5VDC	RED	18	OR NGV	
	5	5	COM	BLACK	18	OR NGV	
	6	6	+5VDC	RED	18	OR NGV	
	7	7	COM	BLACK	18	OR NGV	
	8	8	PS-ON	GRAY	24	OR NGV	
	9	9	+5VDC	PURPLE	20	OR NGV	
	10	10	+5VDC	YELLOW	20	OR NGV	
P7	1	1	+5VDC	ORANGE	18	OR NGV	550 ±0.8mm
	2	2	+5VDC	ORANGE	18	OR NGV	
	3	3	COM	BLACK	18	OR NGV	
	4	4	+5VDC	RED	18	OR NGV	
	5	5	COM	BLACK	18	OR NGV	
	6	6	+5VDC	RED	18	OR NGV	
	7	7	COM	BLACK	18	OR NGV	
	8	8	PS-ON	GRAY	24	OR NGV	
	9	9	+5VDC	PURPLE	20	OR NGV	
	10	10	+5VDC	YELLOW	20	OR NGV	
P8	1	1	+5VDC	ORANGE	18	OR NGV	550 ±0.8mm
	2	2	+5VDC	ORANGE	18	OR NGV	
	3	3	COM	BLACK	18	OR NGV	
	4	4	+5VDC	RED	18	OR NGV	
	5	5	COM	BLACK	18	OR NGV	
	6	6	+5VDC	RED	18	OR NGV	
	7	7	COM	BLACK	18	OR NGV	
	8	8	PS-ON	GRAY	24	OR NGV	
	9	9	+5VDC	PURPLE	20	OR NGV	
	10	10	+5VDC	YELLOW	20	OR NGV	
P9	1	1	+5VDC	ORANGE	18	OR NGV	550 ±0.8mm
	2	2	+5VDC	ORANGE	18	OR NGV	
	3	3	COM	BLACK	18	OR NGV	
	4	4	+5VDC	RED	18	OR NGV	
	5	5	COM	BLACK	18	OR NGV	
	6	6	+5VDC	RED	18	OR NGV	
	7	7	COM	BLACK	18	OR NGV	
	8	8	PS-ON	GRAY	24	OR NGV	
	9	9	+5VDC	PURPLE	20	OR NGV	
	10	10	+5VDC	YELLOW	20	OR NGV	
P10	1	1	+5VDC	ORANGE	18	OR NGV	550 ±0.8mm
	2	2	+5VDC	ORANGE	18	OR NGV	
	3	3	COM	BLACK	18	OR NGV	
	4	4	+5VDC	RED	18	OR NGV	
	5	5	COM	BLACK	18	OR NGV	
	6	6	+5VDC	RED	18	OR NGV	
	7	7	COM	BLACK	18	OR NGV	
	8	8	PS-ON	GRAY	24	OR NGV	
	9	9	+5VDC	PURPLE	20	OR NGV	
	10	10	+5VDC	YELLOW	20	OR NGV	



NOTE:
1. ALL THE LENGTH OF OUTPUT WIRES EXCLUDE HOUSING.
2. 產地標籤依業務指示加貼.
3. 公差: XX=±0.5 [0.02]、XXX=±0.25 [0.01].

P/N.:9PA550A702

MODEL NO. : FSP550-50ABACF(040001)	TITLE: ASSY	SHEET: 1 OF 1	REV:01
R&D(1)	PE	DRAWN	DATE
			3/25/2020