

KVR64V52BD8-64

64GB 2Rx8 8G x 64-Bit

PC5-6400 CL52 262-Pin CSODIMM

DESCRIPTION

This document describes ValueRAM's KVR64V52BD8-64 is a 8G x 64-bit (64GB) DDR5-6400 CL52 Clocked Small Outline DIMMs (CSODIMMs), 2Rx8, memory module, based on sixteen 4G x 8-bit FBGA components and one Clock Driver (CKD). The SPD is programmed to JEDEC standard latency DDR5-6400 timing of 52-52-52 at 1.1V. Each 262-pin CSODIMM uses gold contact fingers. The electrical and mechanical specifications are as follows:

FEATURES

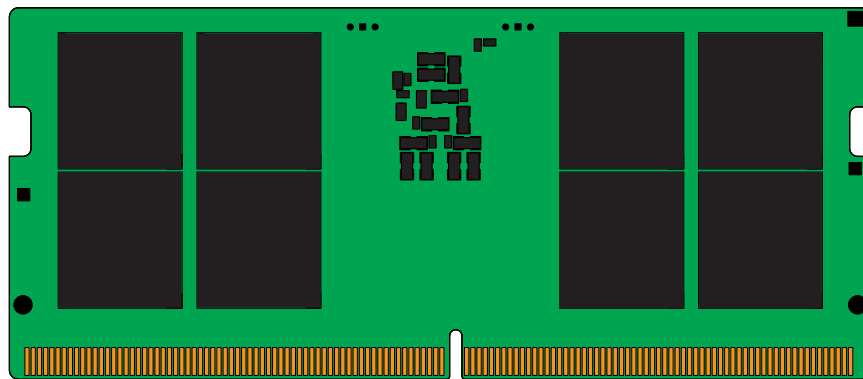
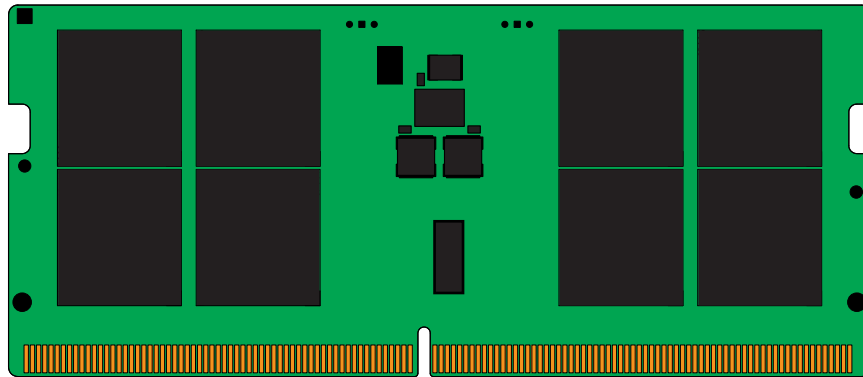
- Power Supply: VDD = 1.1V Typical
- VDDQ = 1.1V Typical
- VPP = 1.8V Typical
- VDDSPD = 1.8V to 2.0V
- On-Die ECC
- PCB: Height 1.18" (30.00mm)
- RoHS Compliant and Halogen-Free
- With Clock Driver

SPECIFICATIONS

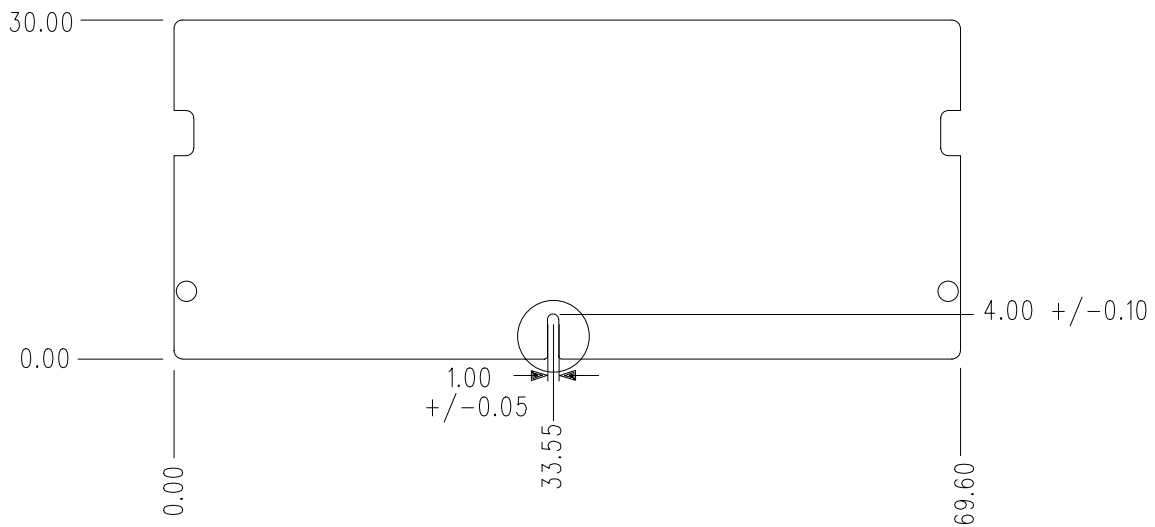
CL	52 cycles
Row Cycle Time (tRCmin)	48ns(min.)
Refresh to Active/Refresh Command Time (tRFCmin)	410ns(min.)
Row Active Time (tRASmin)	32ns(min.)
UL Rating	94 V - 0
Operating Temperature	0° C to +85° C
Storage Temperature	-55° C to +100° C

Continued >>

MODULE DIMENSIONS



All measurements are in millimeters.
(Tolerances on all dimensions are ± 0.15 unless otherwise specified)



The product images shown are for illustration purposes only and may not be an exact representation of the product.
Kingston reserves the right to change any information at anytime without notice.