



# TUF-RTX3080-O10G-GAMING

## BUILT TUF

### ASUS innovations

- **NVIDIA Ampere Streaming Multiprocessors:** The building blocks for the world's fastest, most efficient GPU, the all-new Ampere SM brings 2X the FP32 throughput and improved power efficiency.
- **2nd Generation RT Cores:** Experience 2X the throughput of 1st gen RT Cores, plus concurrent RT and shading for a whole new level of ray tracing performance.
- **3rd Generation Tensor Cores:** Get up to 2X the throughput with structural sparsity and advanced AI algorithms such as DLSS. Now with support for up to 8K resolution, these cores deliver a massive boost in game performance and all-new AI capabilities.



#### ■ Cooling

A MaxContact heat spreader efficiently transfers heat into a new 2.7-slot heatsink. On top, three Axial-tech fans work in tandem to drive air through the entire array, helping to keep temperature under tight control.

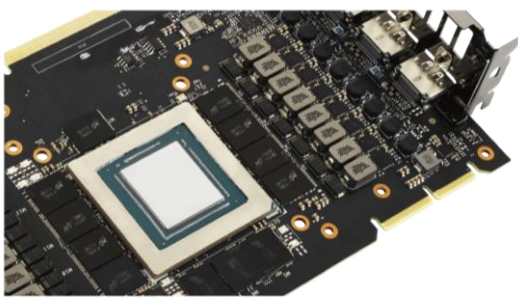
#### ■ Rigid Structure

A new all-aluminum shroud adds a robust flair to TUF builds and is accompanied by a metal backplate, helping reduce PCB flex and keep sensitive components safe.



### ■ Durability

Dual ball fan bearings that stand up to tough conditions more readily than other bearing types and top-shelf capacitors that pass military-grade certification team up to boost product longevity. These components are soldered to the PCB using an Auto-Extreme automated manufacturing process, ensuring accurate placement and a perfect joint every time.



### ■ Software

Hardware and software come together to let gamers fully customize and control their gaming experience. GPU Tweak II enables tweaks and monitoring, XSplit offers a robust streaming solution, and wfast can improve routing to game servers for a more stable gaming connection.



### ASUS Features

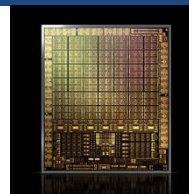
**10GB**  
GDDR6X  
Memory

**10GB GDDR6X Memory:**  
On-board memory for the best gaming experience & the best resolution.

**OC**  
Edition

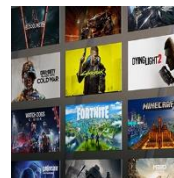
**OC Edition:**  
**1815 MHz GPU boost** clock in OC mode for outstanding gaming experience.

### NV Features



#### **NVIDIA AMPERE ARCHITECTURE**

The all-new NVIDIA Ampere architecture delivers the ultimate play, featuring advanced 2nd generation Ray Tracing Cores and 3rd generation Tensor Cores with greater throughput.



#### **RTX. IT'S ON.**

Experience today's biggest blockbusters like never before with the visual fidelity of real-time ray tracing and the ultimate performance of AI-powered DLSS.



#### **DLSS AI ACCELERATION**

NVIDIA DLSS is groundbreaking AI rendering that boosts frame rates with uncompromised image quality using the dedicated AI processing Tensor Cores on GeForce RTX. This gives you the performance headroom to crank up settings and resolutions for an incredible visual experience. The AI revolution has come to gaming.



### VICTORY MEASURED IN MILLISECONDS

NVIDIA Reflex delivers the ultimate competitive advantage. The lowest latency. The best responsiveness. Powered by GeForce RTX 30 Series GPUs and NVIDIA® G-SYNC® monitors. Acquire targets faster, react quicker, and increase aim precision through a revolutionary suite of technologies to measure and optimize system latency for competitive games.



### UP YOUR CREATIVE GAME

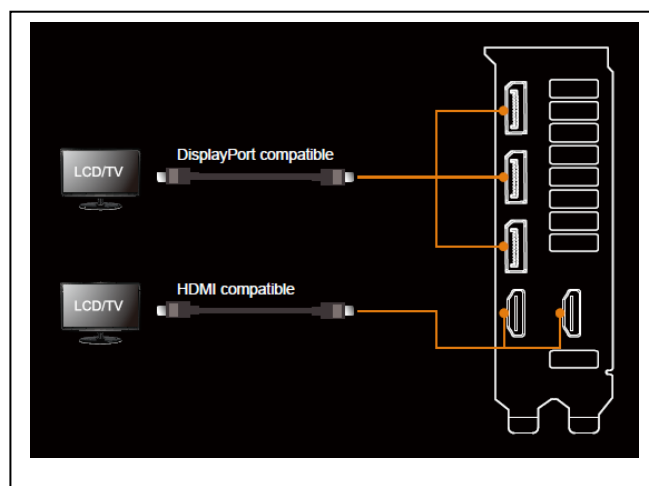
Take your creative projects to a new level with GeForce RTX 30 Series GPUs. Delivering AI-acceleration in top creative apps. Backed by the NVIDIA Studio platform of dedicated drivers and exclusive tools. And built to perform in record time. Whether you're rendering complex 3D scenes, editing 8K video, or livestreaming with the best encoding and image quality, GeForce RTX GPUs give you the performance to create your best.



### DIRECTX 12 ULTIMATE

Developers can now add even more amazing graphics effects to Microsoft Windows-based PC games. GeForce RTX graphics cards deliver advanced DX12 features like ray tracing and variable rate shading, bringing games to life with ultra-realistic visual effects and faster frame rates.

## I/O Specifications



## Specifications

<b>Model name</b>	<b>TUF-RTX3080-O10G-GAMING</b>
Graphics Engine	NVIDIA® GeForce RTX™ 3080
CUDA cores	8,704
OpenGL	OpenGL® 4.6
Engine Clock	OC mode : 1815 MHz (Boost Clock) Gaming mode : 1785 MHz (Boost Clock)/ 1440 MHz (Base Clock)
Memory Interface	320 bit
Video Memory	10GB GDDR6X
Memory Clock	19 Gbps
Power Connector	2x 8-pin
I/O	2x Native HDMI 2.1 3x Native DisplayPort 1.4a
HDCP compliant	HDCP 2.3
Digital Max Resolution	7680 x 4320
Maximum Display Support	4
NVLink / Crossfire Support	No
Recommended PSU	750 W
Bus Standard	PCIe 4.0
What's in the box	1 x Collection card 1x Speedsetup Manual
Software Bundled	ASUS GPU Tweak II & Driver, please download all software from the support site
Slot	2.7 slot
<b>Dimension</b>	
Card Size (cm/inch)	299.9 x 126.9 x 51.7 mm 11.81 x 5 x 2.04 inches
Color Box (mm)	405 x 233 x 88.5 mm
<b>Weight</b>	
Single Card (KG)	1.4 kg
Product Weight (with packing) (KG)	2.16 kg
Note	All specifications are subject to change without notice. Please check with your supplier for exact offers. Products may not be available in all markets. If you do not use the latest and current specifications of ASUS products, you shall be liable for all loss and damage claimed by third party to ASUS based on false advertising or any other issues caused from using false specifications of ASUS products.



TUF GAMING

