



全漢企業股份有限公司
FSP TECHNOLOGY INC.

台灣桃園市建國東路22號 統一編號：84239055
No. 22, Jianguo East Road., Taoyuan City, Taiwan, R.O.C.
TEL:+886-3-375-9888 Website : www.FSP-group.com
FAX:+886-3-375-6966 Email : sales@fsp-group.com.tw

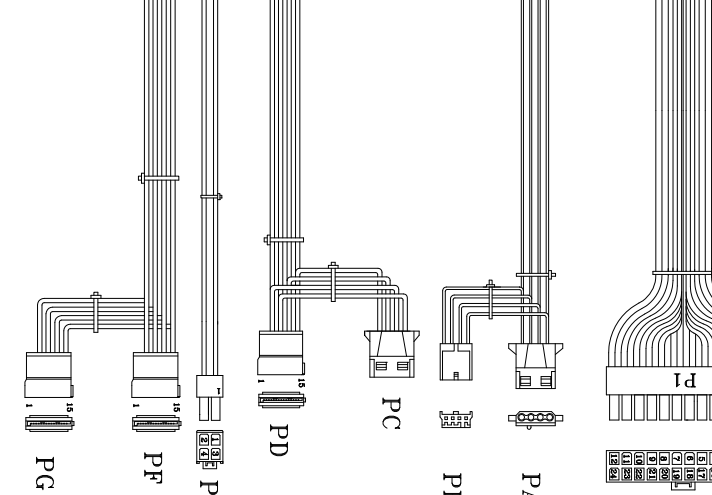
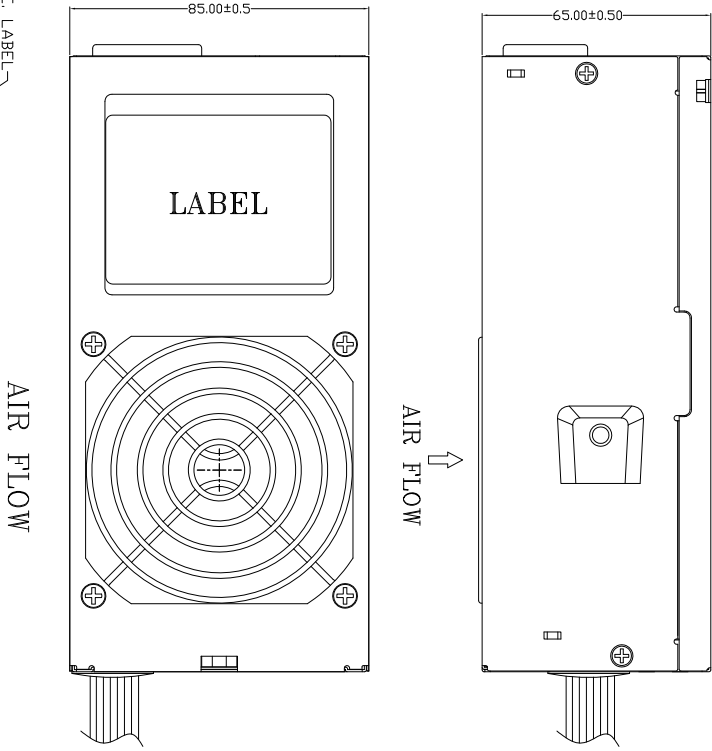
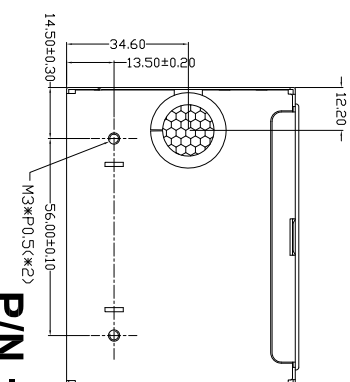
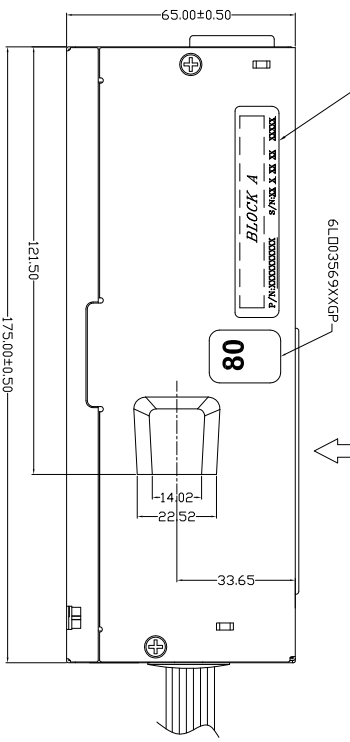
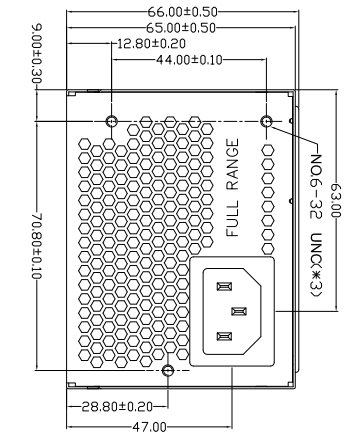
MECHANICAL DRAWING



Released Date:2012/09/07-11:40:49



REF. ID. NO.	REF. NO.	SIGNAL	WIRE COLOR	GAUGE	CONNECTION TYPE	LENGTH
P1	1	+3.30VDC	ORANGE	18	MOLEX 39-01-2240	180±30mm
	2	+5.0VDC	BLACK	18	or EQUIV.	-10
	3	COM	BLACK	18		
	4	+5VDC	RED	18		
	5	+5VDC	RED	18		
	6	+5VDC	BLACK	18		
	7	COM	BLACK	18		
	8	PM-OK	GRAY	24		
	9	+5Vsb	PURPLE	20		
	10	+12V1	YELLOW	18		
PA	1	+12V1	YELLOW	18		
	2	+5VDC	BLACK	18		
	3	+3.3VDC	ORANGE	18		
	4	COM	BLACK	18		
	5	+5VDC	RED	18		
	6	+5VDC	RED	18		
	7	COM	BLACK	18		
	8	COM	BLACK	18		
	9	+5VDC	RED	18		
	20	+5VDC	RED	18		
PB	1	+12V1	YELLOW	18		
	2	COM	BLACK	22	AMP 174822-4	150±10mm
	3	COM	BLACK	22	or BQIV.	
	4	+5V	RED	22		
PC	1	+12V1	YELLOW	20		
	2	COM	BLACK	20	AMP 480424-0	150±10mm
	3	COM	BLACK	20	or BQIV.	
	4	+5V	RED	20		
PD	1	COM	BLACK	18	MOLEX 98-0988-001	280±30mm
	2	+5V	RED	18	or BQIV.	-10
	3	+5V	RED	18		
	4	COM	BLACK	18		
	5	+12V	YELLOW	18		
PE	1	COM	BLACK	18	MOLEX 39-01-2040	380±10mm
	2	+12V2	YEL/BLK	18	or BQIV.	-10
	3	+12V2	YEL/BLK	18		
	4	+12V2	YEL/BLK	18		
PF	1	COM	BLACK	18	MOLEX 98-0988-001	280±30mm
	2	+5V	RED	18	or BQIV.	-10
	3	+5V	RED	18		
PG	1	COM	BLACK	20	MOLEX 98-0988-001	150±10mm
	2	+5V	RED	20	or BQIV.	
	3	+5V	RED	20		
	4	COM	YELLOW	20		



P/N.: 9PA250DZ00

MODEL NO. : FSP250-60SGV	TITLE: ASSY	SHEET: 1DF 1	REV: 01
R&D(1)	DRAWN	DATE	
		SEP. 06. 2012	

UNIT:mm

Mechanical Drawing(外觀/機構圖)表單編號:7000P-0111