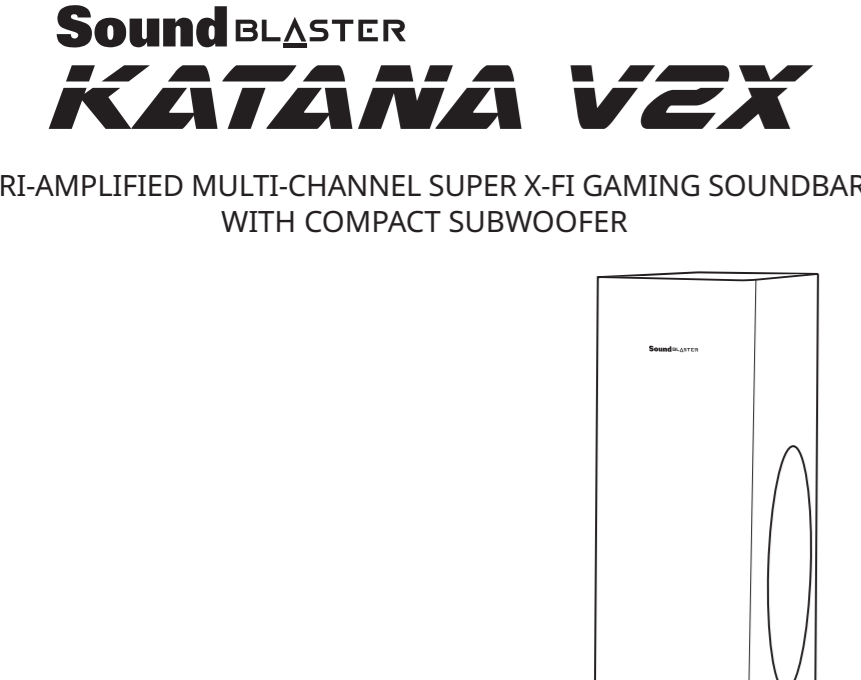


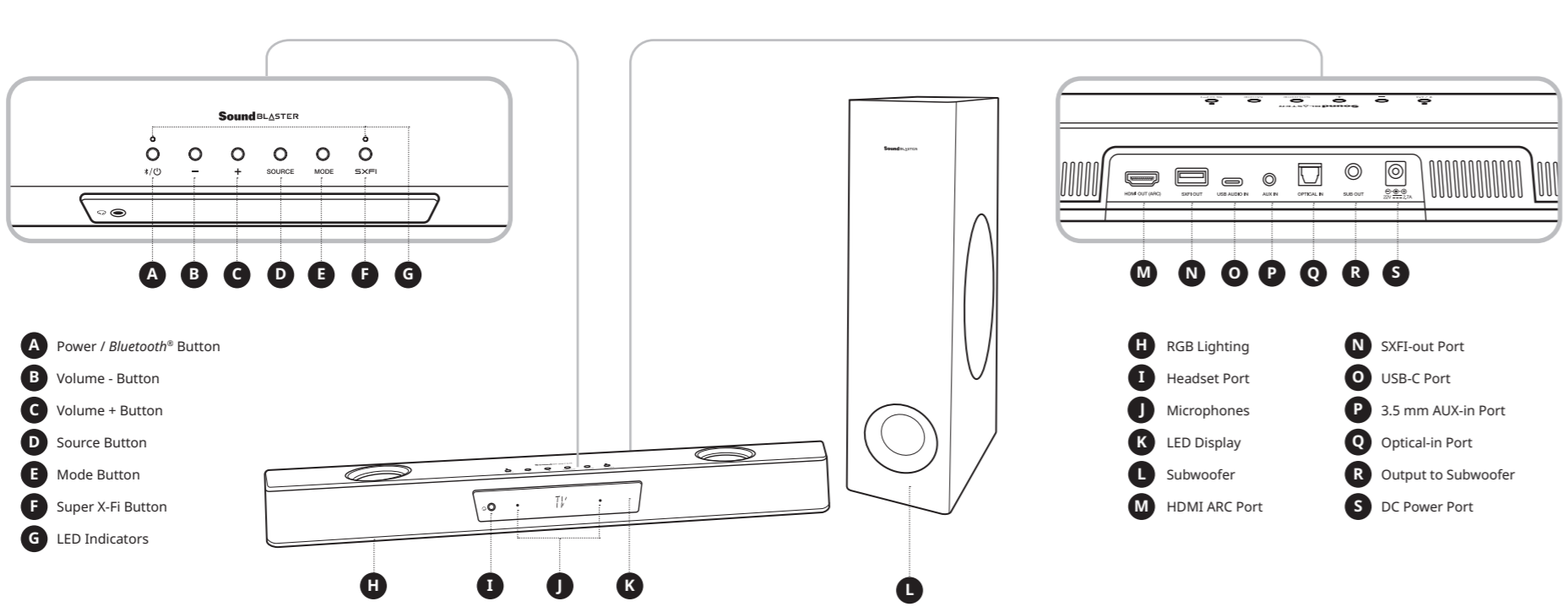
# SoundBLASTER KATANA VEX

## TRI-AMPLIFIED MULTI-CHANNEL SUPER X-FI GAMING SOUNDBAR WITH COMPACT SUBWOOFER



- A Power / Bluetooth® Button
- B Volume - Button
- C Volume + Button
- D Source Button
- E Mode Button
- F Super X-Fi Button
- G LED Indicators

# OVERVIEW



ii) Button / Action	ii) Function	iii) LED Indicator	iv) Status	v) LED Display	vi) Source / Function
x1	Power On / Power Off	● Solid White	Power On	TV	HDMI ARC Mode
x1	Enter Bluetooth Pairing Mode	● Solid Red	Power Off	USB	USB Audio Mode
x1	Exit Bluetooth Pairing Mode	● Solid Yellow	Network Standby	AUX	AUX-in
x1	Decrease Volume	● Solid Blue	Bluetooth Connected	OPTICAL	Optical-in
x1	Increase Volume	● Blinking Blue	Bluetooth Pairing Mode	AUX	AUX-in
x1	Decrease Volume	● Blinking White	Waiting for BLE Connection	BT PAIRING	Bluetooth Pairing mode
x1	Increase Volume	● Solid Green	Super X-Fi Off	BT PAIRING	Bluetooth Pairing mode
x1	Source Button	● Solid Orange	Super X-Fi On		
x1	Mode Button	● Solid Green	Super X-Fi On		
x1	Super X-Fi Button	● Solid Red	SXFI BATTLE Mode On		
x1	LED Indicators	● Blinking Red	Loading Super X-Fi Profile		
		● LED Off	Super X-Fi is unavailable (Speaker Mode)		

### Quick Start Guide

使用产品前请阅读使用说明  
Model No. / 型号 / 型號: MFB400

PN: 02MFA000000 Rev A

# SUPER X-FI PERSONALIZATION

Unleash the performance of Super X-Fi with SXFI App. The app allows you to personalize your Super X-Fi profile through an advanced Head & Ear-Mapping process for a complete Super X-Fi experience.

Download SXFI App from:

- IOS App Store
- Google Play Store

# CREATIVE APP

Available on Windows, Mac, as well as Android and iOS devices, set up your product, customize audio settings, enhance your product's performance, and more with the Creative app.

- Personalize your audio experience with Super X-Fi, Scout Mode, Dolby Digital Decoder, and Audyssey Dynamic EQ.
- Enjoy Accoustic Engine features such as Surround, Crystalizer, Bass, Smart Volume, and Dialogue.
- Customize RGB Lighting, graphic EQs, and custom buttons.
- Perform software, product registration, and more.

Download the Creative app from [www.creative.com/support/katanaVXZ](https://www.creative.com/support/katanaVXZ)

# TECHNICAL SPECIFICATIONS

**Power Adapter Model:** GM60-22072-D  
**Input:** 100~240V ~~, 50 / 60 Hz 2.0A  
**Output:** 220V 2.2A  
**Soundbar's Power Output:** 50W RMS (Tweter 5W RMS x 2 + Midbass 20W RMS x 2)  
**Subwoofer's Power Output:** 50W RMS  
**Maximum RF Output Power:** 4.0mW  
**Operating Frequency:** 2402~2480 MHz  
**Operating Range:** Up to 10m / 33 ft. (measured in open space. Walls and structures may affect range of device)  
**Maximum RF Output Power:** 4.0mW  
**Supported Bluetooth Profiles:**  
• A2DP (Advanced Audio Distribution Profile)  
• AVRCP (Audio Video Remote Control Profile)  
• Supported Codec: SBC  
**Soundbar Input Rating:** 22V ~ 2.7A  
**Maximum Temperature:** 40°C

# OTHER INFORMATION

Please visit [creative.com/compliance/katanaVXZ](https://www.creative.com/compliance/katanaVXZ) for the user guide, safety and regulatory information, and EPR information where applicable.

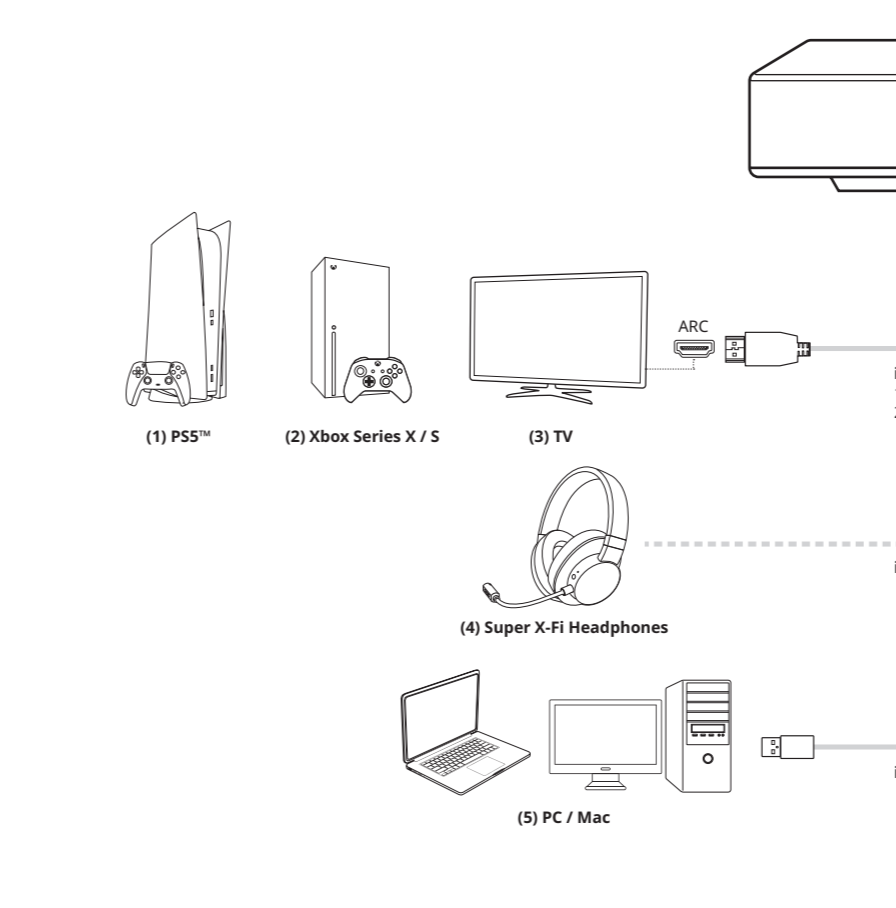
Please visit [creative.com/support/katanaVXZ](https://www.creative.com/support/katanaVXZ) for all other support related to your product.

# PRODUCT REGISTRATION

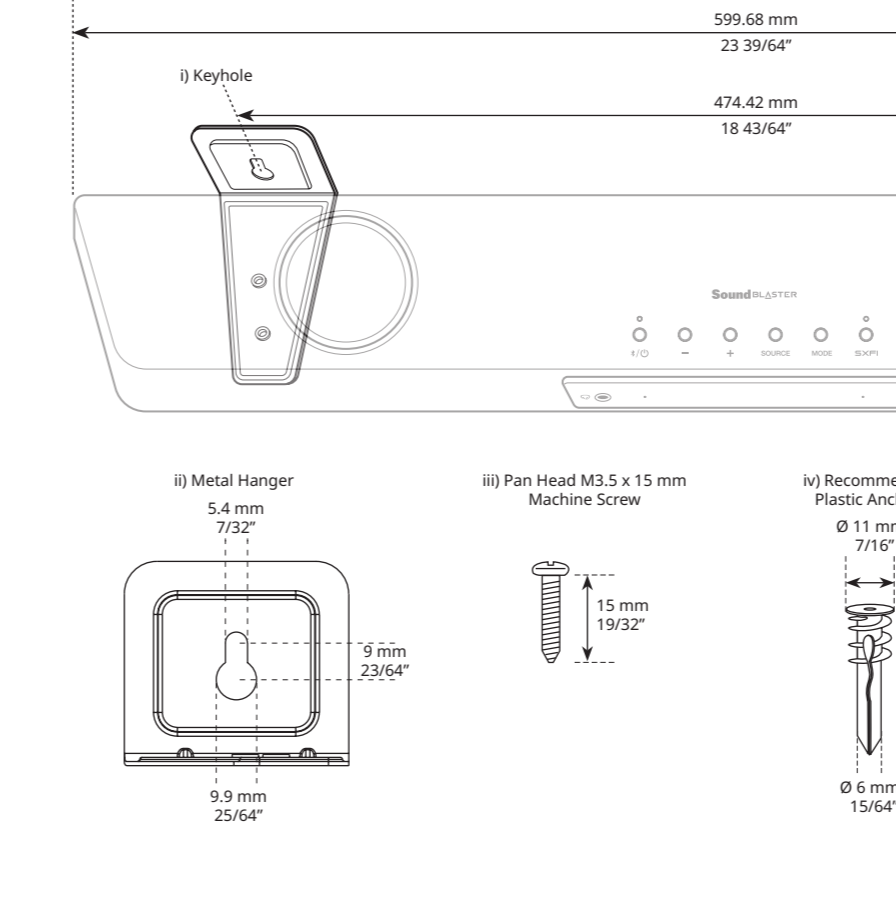
Registering your product ensures you receive the most appropriate service and product support available. You can register your product at [www.creative.com/register](https://www.creative.com/register). Please note that your warranty rights are not dependent on registration.

Warranty information is supplied with your product in a separate document. Please keep your warranty card for future reference.

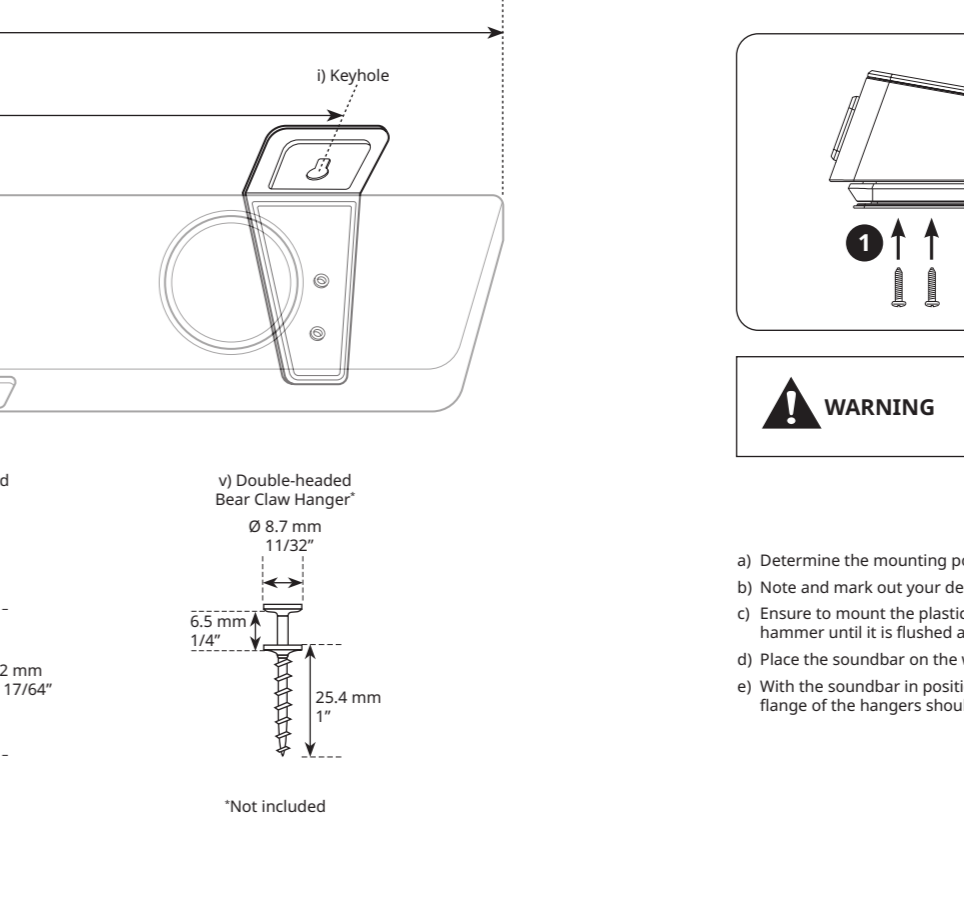
# CONNECTIVITY



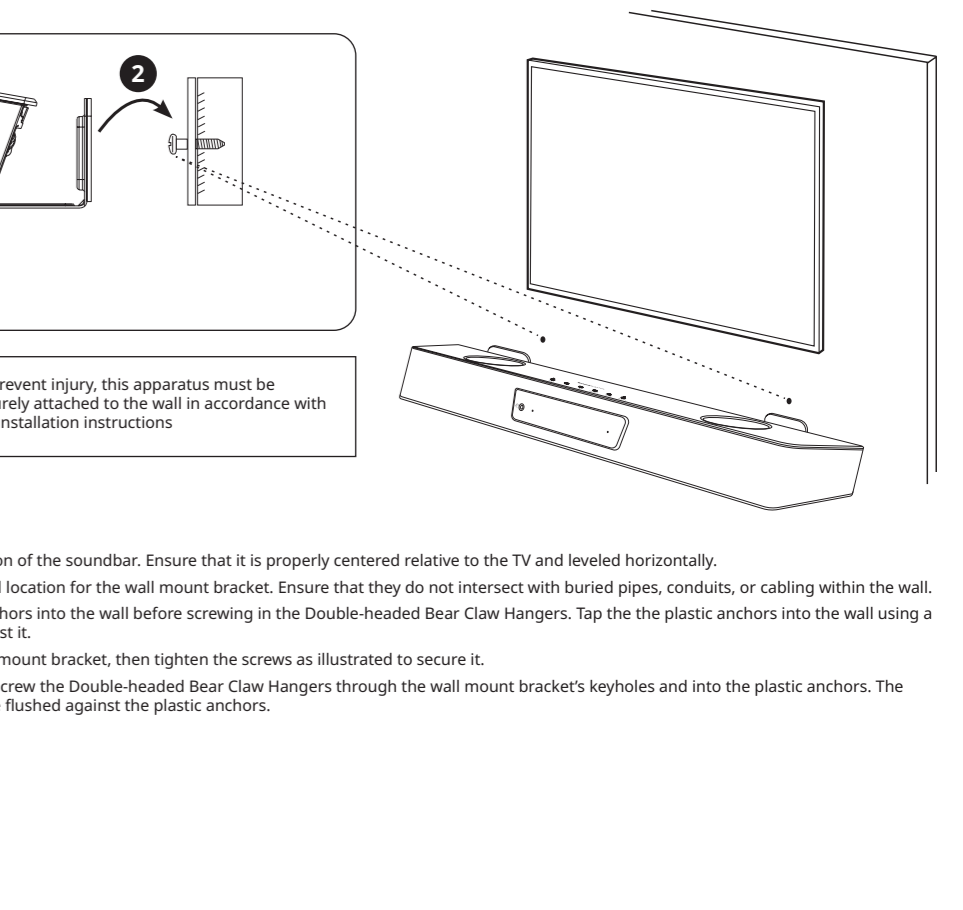
# WALL MOUNTING SOUND BLASTER KATANA VEX (OPTIONAL)



# CONNECTIVITY



# CONNECTIVITY



# DE

ÜBERBLICK	KONNEKTIVITÄT
<b>Wichtige Funktionen:</b> <ul style="list-style-type: none"><li>1) Lautstärke - Taste</li><li>2) Lautstärke + Taste</li><li>3) Quellensuche</li><li>4) Modus-Taste</li><li>5) Super X-Fi Taste</li><li>6) LED-Indikatoren</li><li>7) Bluetooth®-Taste</li><li>8) Headset-Steuerung</li><li>9) Headset-Mikrofon</li><li>10) Ausgang zum Subwoofer</li><li>11) Fernbedienung</li></ul>	<b>Verbindbarkeit:</b> <ul style="list-style-type: none"><li>1) PS5</li><li>2) Xbox Series X/S</li><li>3) TV</li><li>4) Super X-Fi Headphones</li><li>5) PC / Mac</li><li>6) Wall Mount</li><li>7) PS4</li><li>8) PS5</li><li>9) TV</li><li>10) Headphones</li><li>11) PC / Mac</li><li>12) Mobile Devices</li></ul>

# FR

APERÇU	CONNECTIVITÉ
<b>Caractéristiques principales:</b> <ul style="list-style-type: none"><li>1) Bouton Bluetooth®</li><li>2) Bouton Volume -</li><li>3) Bouton Volume +</li><li>4) Bouton Mode</li><li>5) Bouton Super X-Fi</li><li>6) Bouton Source</li><li>7) Bouton LED</li><li>8) Bouton Headset</li><li>9) Bouton Headset Mic</li><li>10) Bouton Headset Mic</li><li>11) Bouton Headset Mic</li><li>12) Bouton Headset Mic</li><li>13) Bouton Headset Mic</li><li>14) Bouton Headset Mic</li><li>15) Bouton Headset Mic</li><li>16) Bouton Headset Mic</li><li>17) Bouton Headset Mic</li><li>18) Bouton Headset Mic</li><li>19) Bouton Headset Mic</li><li>20) Bouton Headset Mic</li></ul>	<b>Connectivité:</b> <ul style="list-style-type: none"><li>1) PS5</li><li>2) Xbox Series X/S</li><li>3) TV</li><li>4) Equivateur Super X-Fi</li><li>5) PC / Mac</li><li>6) Prise murale</li><li>7) PS4</li><li>8) PS5</li><li>9) TV</li><li>10) Casque</li><li>11) Casque</li><li>12) Casque</li><li>13) Casque</li><li>14) Casque</li><li>15) Casque</li><li>16) Casque</li><li>17) Casque</li><li>18) Casque</li><li>19) Casque</li><li>20) Casque</li></ul>

# IT

FRANCIA	CONNETTIVITÀ
<b>Caratteristiche principali:</b> <ul style="list-style-type: none"><li>1) Pulsante Bluetooth®</li><li>2) Pulsante volume -</li><li>3) Pulsante volume +</li><li>4) Pulsante sorgente</li><li>5) Pulsante Modus</li><li>6) Pulsante Super X-Fi</li><li>7) Pulsante Source</li><li>8) Pulsante LED</li><li>9) Pulsante Headset</li><li>10) Pulsante Headset Mic</li><li>11) Pulsante Headset Mic</li><li>12) Pulsante Headset Mic</li><li>13) Pulsante Headset Mic</li><li>14) Pulsante Headset Mic</li><li>15) Pulsante Headset Mic</li><li>16) Pulsante Headset Mic</li><li>17) Pulsante Headset Mic</li><li>18) Pulsante Headset Mic</li><li>19) Pulsante Headset Mic</li><li>20) Pulsante Headset Mic</li></ul>	<b>Connettività:</b> <ul style="list-style-type: none"><li>1) PS5</li><li>2) Xbox Series X/S</li><li>3) TV</li><li>4) Equivatore Super X-Fi</li><li>5) PC / Mac</li><li>6) Cuffia per muro</li><li>7) PS4</li><li>8) PS5</li><li>9) TV</li><li>10) Casco</li><li>11) Casco</li><li>12) Casco</li><li>13) Casco</li><li>14) Casco</li><li>15) Casco</li><li>16) Casco</li><li>17) Casco</li><li>18) Casco</li><li>19) Casco</li><li>20) Casco</li></ul>

# ES

INFORMACIÓN GENERAL	CONECTIVIDAD
<b>Características principales:</b> <ul style="list-style-type: none"><li>1) Botón de encendido Bluetooth®</li><li>2) Botón de volumen -</li><li>3) Botón de volumen +</li><li>4) Botón de alimentación</li><li>5) Botón de modo</li><li>6) Botón Super X-Fi</li><li>7) Botón Source</li><li>8) Botón LED</li><li>9) Botón Headset</li><li>10) Botón Headset Mic</li><li>11) Botón Headset Mic</li><li>12) Botón Headset Mic</li><li>13) Botón Headset Mic</li><li>14) Botón Headset Mic</li><li>15) Botón Headset Mic</li><li>16) Botón Headset Mic</li><li>17) Botón Headset Mic</li><li>18) Botón Headset Mic</li><li>19) Botón Headset Mic</li><li>20) Botón Headset Mic</li></ul>	<b>Conectividad:</b> <ul style="list-style-type: none"><li>1) PS5</li><li>2) Xbox Series X/S</li><li>3) TV</li><li>4) Equivador Super X-Fi</li><li>5) PC / Mac</li><li>6) Botón de corriente en pared</li><li>7) PS4</li><li>8) PS5</li><li>9) TV</li><li>10) Auriculares</li><li>11) Auriculares</li><li>12) Auriculares</li><li>13) Auriculares</li><li>14) Auriculares</li><li>15) Auriculares</li><li>16) Auriculares</li><li>17) Auriculares</li><li>18) Auriculares</li><li>19) Auriculares</li><li>20) Auriculares</li></ul>

# NL

OVERZICHT	AANSLUITINGEN
<b>Belangrijke functies:</b> <ul style="list-style-type: none"><li>1) Aan/uit knop Bluetooth</li><li>2) Volume - knop</li><li>3) Volume + knop</li><li>4) Bron selectie</li><li>5) Modusknop</li><li>6) Super X-Fi knop</li><li>7) Source knop</li><li>8) LED knop</li><li>9) Headset knop</li><li>10) Headset Mic knop</li><li>11) Headset Mic knop</li><li>12) Headset Mic knop</li><li>13) Headset Mic knop</li><li>14) Headset Mic knop</li><li>15) Headset Mic knop</li><li>16) Headset Mic knop</li><li>17) Headset Mic knop</li><li>18) Headset Mic knop</li><li>19) Headset Mic knop</li><li>20) Headset Mic knop</li></ul>	<b>Aansluitingen:</b> <ul style="list-style-type: none"><li>1) PS5</li><li>2) Xbox Series X/S</li><li>3) TV</li><li>4) Super X-Fi hoofdtelefoon</li><li>5) PC / Mac</li><li>6) Systeemkast</li><li>7) Systeemkast</li><li>8) Systeemkast</li><li>9) Systeemkast</li><li>10) Systeemkast</li><li>11) Systeemkast</li><li>12) Systeemkast</li><li>13) Systeemkast</li><li>14) Systeemkast</li><li>15) Systeemkast</li><li>16) Systeemkast</li><li>17) Systeemkast</li><li>18) Systeemkast</li><li>19) Systeemkast</li><li>20) Systeemkast</li></ul>

# NO

OVERSICHT	ILLESNING
<b>Viktige funksjoner:</b> <ul style="list-style-type: none"><li>1) Bluetooth-til/ fra-knapp</li><li>2) Volum - knapp</li><li>3) Volum + knapp</li><li>4) Kjelteknapp</li><li>5) Modusknapp</li><li>6) Super X-Fi knapp</li><li>7) Source knapp</li><li>8) LED knapp</li><li>9) Headset knapp</li><li>10) Headset Mic knapp</li><li>11) Headset Mic knapp</li><li>12) Headset Mic knapp</li><li>13) Headset Mic knapp</li><li>14) Headset Mic knapp</li><li>15) Headset Mic knapp</li><li>16) Headset Mic knapp</li><li>17) Headset Mic knapp</li><li>18) Headset Mic knapp</li><li>19) Headset Mic knapp</li><li>20) Headset Mic knapp</li></ul>	<b>ILLESNING:</b> <ul style="list-style-type: none"><li>1) PS5</li><li>2) Xbox Series X/S</li><li>3) TV</li><li>4) Super X-Fi hovedtelefoner</li><li>5) PC / Mac</li><li>6) Systemkabinett</li><li>7) Systemkabinett</li><li>8) Systemkabinett</li><li>9) Systemkabinett</li><li>10) Systemkabinett</li><li>11) Systemkabinett</li><li>12) Systemkabinett</li><li>13) Systemkabinett</li><li>14) Systemkabinett</li><li>15) Systemkabinett</li><li>16) Systemkabinett</li><li>17) Systemkabinett</li><li>18) Systemkabinett</li><li>19) Systemkabinett</li><li>20) Systemkabinett</li></ul>

# FI

YLEISKATSA	LIITÄNNÄK
<b>Yleisnäkymä:</b> <ul style="list-style-type: none"><li>1) Bluetooth-tili/väljelmäknä</li><li>2) Äänenvoimakkuus -painike</li><li>3) Äänenvoimakkuus +painike</li><li>4) Lähteväknäppä</li><li>5) Tilinäppä</li><li>6) Super X-Fi -painike</li><li>7) Source -painike</li><li>8) LED -painike</li><li>9) Headset -painike</li><li>10) Headset Mic -painike</li><li>11) Headset Mic -painike</li><li>12) Headset Mic -painike</li><li>13) Headset Mic -painike</li><li>14) Headset Mic -painike</li><li>15) Headset Mic -painike</li><li>16) Headset Mic -painike</li><li>17) Headset Mic -painike</li><li>18) Headset Mic -painike</li><li>19) Headset Mic -painike</li><li>20) Headset Mic -painike</li></ul>	<b>Liitännäiset:</b> <ul style="list-style-type: none"><li>1) PS5</li><li>2) Xbox Series X/S</li><li>3) TV</li><li>4) Super X-Fi kuulokkeet</li><li>5) PC / Mac</li><li>6) Systeemkaappi</li><li>7) Systeemkaappi</li><li>8) Systeemkaappi</li><li>9) Systeemkaappi</li><li>10) Systeemkaappi</li><li>11) Systeemkaappi</li><li>12) Systeemkaappi</li><li>13) Systeemkaappi</li><li>14) Systeemkaappi</li><li>15) Systeemkaappi</li><li>16) Systeemkaappi</li><li>17) Systeemkaappi</li><li>18) Systeemkaappi</li><li>19) Systeemkaappi</li><li>20) Systeemkaappi</li></ul>

# INFARROT-FERNBEDIENUNG

Das Fernbedienungsgerät steuert die Lautsprecherfunktion des Soundbars. Es kann verwendet werden, um die Lautstärke zu erhöhen oder zu senken, den Modus zu wechseln, die Quelle zu wechseln, den Super X-Fi-Modus zu aktivieren und die LED-Indikatoren zu steuern.

# SUPER X-FI PERSONALISIERUNG

Das SoundBlaster Katana VEX-Soundbar verfügt über eine Reihe von Funktionen, die es Ihnen ermöglichen, Ihre Audioerfahrung zu personalisieren. Diese Funktionen sind:

- Personalisierung Ihrer Audioerfahrung mit Super X-Fi, Scout Mode, Dolby Digital Decoder und Audyssey Dynamic EQ.
- Genießen Sie die Funktionen von Accoustic Engine wie Surround, Crystalizer, Bass, Smart Volume und Dialogue.
- Personalisieren Sie die Beleuchtung mit RGB-Beleuchtung und benutzerdefinierten Tasten.
- Führen Sie Software-Updates, Produktregistrierung und mehr durch.

# TELECOMUNICAZIONI

Il SoundBlaster Katana VEX è un sistema di altoparlanti che può essere personalizzato attraverso l'app Creative. L'app consente di personalizzare l'audio, migliorare le prestazioni e accedere a servizi aggiuntivi.

# MANDO A DISTANZA POR INFRAROJOS

El control remoto de infrarrojos controla la función de altavoces del sistema de sonido. Se puede utilizar para aumentar o disminuir el volumen, cambiar el modo, seleccionar la fuente y controlar los indicadores LED.

# INFARROT AFASTANSBEDIENING

De afstandsbediening bedient de luidsprekerfunctie van het geluidssysteem. Het kan worden gebruikt om het volume te verhogen of te verlagen, de modus te wisselen, de bron te selecteren en de LED-indicatoren te bedienen.

# INFARROT AFASTANSBEDIENING

De afstandsbediening bedient de luidsprekerfunctie van het geluidssysteem. Het kan worden gebruikt om het volume te verhogen of te verlagen, de modus te wisselen, de bron te selecteren en de LED-indicatoren te bedienen.

# INFARROT AFASTANSBEDIENING

De afstandsbediening bedient de luidsprekerfunctie van het geluidssysteem. Het kan worden gebruikt om het volume te verhogen of te verlagen, de modus te wisselen, de bron te selecteren en de LED-indicatoren te bedienen.

# TECHNISCHE DATEN

**Modelnummer:** GM60-22072-D  
**Input:** 100~240V ~~, 50 / 60 Hz 2.0A  
**Output:** 220V 2.2A  
**Soundbar's Power Output:** 50W RMS (Tweter 5W RMS x 2 + Midbass 20W RMS x 2)  
**Subwoofer's Power Output:** 50W RMS  
**Maximum RF Output Power:** 4.0mW  
**Operating Frequency:** 2402~2480 MHz  
**Operating Range:** Up to 10m / 33 ft. (measured in open space. Walls and structures may affect range of device)  
**Maximum RF Output Power:** 4.0mW  
**Supported Bluetooth Profiles:**  
• A2DP (Advanced Audio Distribution Profile)  
• AVRCP (Audio Video Remote Control Profile)  
• Supported Codec: SBC  
**Soundbar Input Rating:** 22V ~ 2.7A  
**Maximum Temperature:** 40°C

# TECHNISCHE DATEN

**Modelnummer:** GM60-22072-D  
**Input:** 100~240V ~~, 50 / 60 Hz 2.0A  
**Output:** 220V 2.2A  
**Soundbar's Power Output:** 50W RMS (Tweter 5W RMS x 2 + Midbass 20W RMS x 2)  
**Subwoofer's Power Output:** 50W RMS  
**Maximum RF Output Power:** 4.0mW  
**Operating Frequency:** 2402~2480 MHz  
**Operating Range:** Up to 10m / 33 ft. (measured in open space. Walls and structures may affect range of device)  
**Maximum RF Output Power:** 4.0mW  
**Supported Bluetooth Profiles:**  
• A2DP (Advanced Audio Distribution Profile)  
• AVRCP (Audio Video Remote Control Profile)  
• Supported Codec: SBC  
**Soundbar Input Rating:** 22V ~ 2.7A  
**Maximum Temperature:** 40°C

# TECHNISCHE DATEN

**Modelnummer:** GM60-22072-D  
**Input:** 100~240V ~~, 50 / 60 Hz 2.0A  
**Output:** 220V 2.2A  
**Soundbar's Power Output:** 50W RMS (Tweter 5W RMS x 2 + Midbass 20W RMS x 2)  
**Subwoofer's Power Output:** 50W RMS  
**Maximum RF Output Power:** 4.0mW  
**Operating Frequency:** 2402~2480 MHz  
**Operating Range:** Up to 10m / 33 ft. (measured in open space. Walls and structures may affect range of device)  
**Maximum RF Output Power:** 4.0mW  
**Supported Bluetooth Profiles:**  
• A2DP (Advanced Audio Distribution Profile)  
• AVRCP (Audio Video Remote Control Profile)  
• Supported Codec: SBC  
**Soundbar Input Rating:** 22V ~ 2.7A  
**Maximum Temperature:** 40°C

# TECHNISCHE DATEN

**Modelnummer:** GM60-22072-D  
**Input:** 100~240V ~~, 50 / 60 Hz 2.0A  
**Output:** 220V 2.2A  
**Soundbar's Power Output:** 50W RMS (Tweter 5W RMS x 2 + Midbass 20W RMS x 2)  
**Subwoofer's Power Output:** 50W RMS  
**Maximum RF Output Power:** 4.0mW  
**Operating Frequency:** 2402~2480 MHz  
**Operating Range:** Up to 10m / 33 ft. (measured in open space. Walls and structures may affect range of device)  
**Maximum RF Output Power:** 4.0mW  
**Supported Bluetooth Profiles:**  
• A2DP (Advanced Audio Distribution Profile)  
• AVRCP (Audio Video Remote Control Profile)  
• Supported Codec: SBC  
**Soundbar Input Rating:** 22V ~ 2.7A  
**Maximum Temperature:** 40°C

# TECHNISCHE DATEN

**Modelnummer:** GM60-22072-D  
**Input:** 100~240V ~~, 50 / 60 Hz 2.0A  
**Output:** 220V 2.2A  
**Soundbar's Power Output:** 50W RMS (Tweter 5W RMS x 2 + Midbass 20W RMS x 2)  
**Subwoofer's Power Output:** 50W RMS  
**Maximum RF Output Power:** 4.0mW  
**Operating Frequency:** 2402~2480 MHz  
**Operating Range:** Up to 10m / 33 ft. (measured in open space. Walls and structures may affect range of device)  
**Maximum RF Output Power:** 4.0mW  
**Supported Bluetooth Profiles:**  
• A2DP (Advanced Audio Distribution Profile)  
• AVRCP (Audio Video Remote Control Profile)  
• Supported Codec: SBC  
**Soundbar Input Rating:** 22V ~ 2.7A  
**Maximum Temperature:** 40°C

# TECHNISCHE DATEN

**Modelnummer:** GM60-22072-D  
**Input:** 100~240V ~~, 50 / 60 Hz 2.0A  
**Output:** 220V 2.2A  
**Soundbar's Power Output:** 50W RMS (Tweter 5W RMS x 2 + Midbass 20W RMS x 2)  
**Subwoofer's Power Output:** 50W RMS  
**Maximum RF Output Power:** 4.0mW  
**Operating Frequency:** 2402~2480 MHz  
**Operating Range:** Up to 10m / 33 ft. (measured in open space. Walls and structures may affect range of device)  
**Maximum RF Output Power:** 4.0mW  
**Supported Bluetooth Profiles:**  
• A2DP (Advanced Audio Distribution Profile)  
• AVRCP (Audio Video Remote Control Profile)  
• Supported Codec: SBC  
**Soundbar Input Rating:** 22V ~ 2.7A  
**Maximum Temperature:** 40°C

# TECHNISCHE DATEN

**Modelnummer:** GM60-22072-D  
**Input:** 100~240V ~~, 50 / 60 Hz 2.0A  
**Output:** 220V 2.2A  
**Soundbar's Power Output:** 50W RMS (Tweter 5W RMS x 2 + Midbass 20W RMS x 2)  
**Subwoofer's Power Output:** 50W RMS  
**Maximum RF Output Power:** 4.0mW  
**Operating Frequency:** 2402~2480 MHz  
**Operating Range:** Up to 10m / 33 ft. (measured in open space. Walls and structures may affect range of device)  
**Maximum RF Output Power:** 4.0mW  
**Supported Bluetooth Profiles:**  
• A2DP (Advanced Audio Distribution Profile)  
• AVRCP (Audio Video Remote Control Profile)  
• Supported Codec: SBC  
**Soundbar Input Rating:** 22V ~ 2.7A  
**Maximum Temperature:** 40°C

# WICHTIGE INFORMATIONS

Bitte beachten Sie, dass die SoundBlaster Katana VEX-Soundbar eine Reihe von Funktionen enthält, die es Ihnen ermöglichen, Ihre Audioerfahrung zu personalisieren. Diese Funktionen sind:

- Personalisierung Ihrer Audioerfahrung mit Super X-Fi, Scout Mode, Dolby Digital Decoder und Audyssey Dynamic EQ.
- Genießen Sie die Funktionen von Accoustic Engine wie Surround, Crystalizer, Bass, Smart Volume und Dialogue.
- Personalisieren Sie die Beleuchtung mit RGB-Beleuchtung und benutzerdefinierten Tasten.
- Führen Sie Software-Updates, Produktregistrierung und mehr durch.

# WICHTIGE INFORMATIONS

Bitte beachten Sie, dass die SoundBlaster Katana VEX-Soundbar eine Reihe von Funktionen enthält, die es Ihnen ermöglichen, Ihre Audioerfahrung zu personalisieren. Diese Funktionen sind:

- Personalisierung Ihrer Audioerfahrung mit Super X-Fi, Scout Mode, Dolby Digital Decoder und Audyssey Dynamic EQ.
- Genießen Sie die Funktionen von Accoustic Engine wie Surround, Crystalizer, Bass, Smart Volume und Dialogue.
- Personalisieren Sie die Beleuchtung mit RGB-Beleuchtung und benutzerdefinierten Tasten.
- Führen Sie Software-Updates, Produktregistrierung und mehr durch.

# WICHTIGE INFORMATIONS

Bitte beachten Sie, dass die SoundBlaster Katana VEX-Soundbar eine Reihe von Funktionen enthält, die es Ihnen ermöglichen, Ihre Audioerfahrung zu personalisieren. Diese Funktionen sind:

- Personalisierung Ihrer Audioerfahrung mit Super X-Fi, Scout Mode, Dolby Digital Decoder und Audyssey Dynamic EQ.
- Genießen Sie die Funktionen von Accoustic Engine wie Surround, Crystalizer, Bass, Smart Volume und Dialogue.
- Personalisieren Sie die Beleuchtung mit RGB-Beleuchtung und benutzerdefinierten Tasten.
- Führen Sie Software-Updates, Produktregistrierung und mehr durch.

# WICHTIGE INFORMATIONS

Bitte beachten Sie, dass die SoundBlaster Katana VEX-Soundbar eine Reihe von Funktionen enthält, die es Ihnen ermöglichen, Ihre Audioerfahrung zu personalisieren. Diese Funktionen sind:

- Personalisierung Ihrer Audioerfahrung mit Super X-Fi, Scout Mode, Dolby Digital Decoder und Audyssey Dynamic EQ.
- Genießen Sie die Funktionen von Accoustic Engine wie Surround, Crystalizer, Bass, Smart Volume und Dialogue.
- Personalisieren Sie die Beleuchtung mit RGB-Beleuchtung und benutzerdefinierten Tasten.
- Führen Sie Software-Updates, Produktregistrierung und mehr durch.

# WICHTIGE INFORMATIONS

Bitte beachten Sie, dass die SoundBlaster Katana VEX-Soundbar eine Reihe von Funktionen enthält, die es Ihnen ermöglichen, Ihre Audioerfahrung zu personalisieren. Diese Funktionen sind:

- Personalisierung Ihrer Audioerfahrung mit Super X-Fi, Scout Mode, Dolby Digital Decoder und Audyssey Dynamic EQ.
- Genießen Sie die Funktionen von Accoustic Engine wie Surround, Crystalizer, Bass, Smart Volume und Dialogue.
- Personalisieren Sie die Beleuchtung mit RGB-Beleuchtung und benutzerdefinierten Tasten.
- Führen Sie Software-Updates, Produktregistrierung und mehr durch.

# WICHTIGE INFORMATIONS

Bitte beachten Sie, dass die SoundBlaster Katana VEX-Soundbar eine Reihe von Funktionen enthält, die es Ihnen ermöglichen, Ihre Audioerfahrung zu personalisieren. Diese Funktionen sind:

- Personalisierung Ihrer Audioerfahrung mit Super X-Fi, Scout Mode, Dolby Digital Decoder und Audyssey Dynamic EQ.
- Genießen Sie die Funktionen von Accoustic Engine wie Surround, Crystalizer, Bass, Smart Volume und Dialogue.
- Personalisieren Sie die Beleuchtung mit RGB-Beleuchtung und benutzerdefinierten Tasten.
- Führen Sie Software-Updates, Produktregistrierung und mehr durch.

# WICHTIGE INFORMATIONS

Bitte beachten Sie, dass die SoundBlaster Katana VEX-Soundbar eine Reihe von Funktionen enthält, die es Ihnen ermöglichen, Ihre Audioerfahrung zu personalisieren. Diese Funktionen sind:

- Personalisierung Ihrer Audioerfahrung mit Super X-Fi, Scout Mode, Dolby Digital Decoder und Audyssey Dynamic EQ.
- Genießen Sie die Funktionen von Accoustic Engine wie Surround, Crystalizer, Bass, Smart Volume und Dialogue.
- Personalisieren Sie die Beleuchtung mit RGB-Beleuchtung und benutzerdefinierten Tasten.
- Führen Sie Software-Updates, Produktregistrierung und mehr durch.

# GARANTEE

Die drei Jahre Produktgarantie/Garantierungsinformationen befinden sich in einem separaten Dokument. Bitte beachten Sie Ihre Kaufbedingungen und Garantien. Kontaktieren Sie Ihren Händler für weitere Informationen.

# GARANTEE

Die drei Jahre Produktgarantie/Garantierungsinformationen befinden sich in einem separaten Dokument. Bitte beachten Sie Ihre Kaufbedingungen und Garantien. Kontaktieren Sie Ihren Händler für weitere Informationen.

# GARANTEE

Die drei Jahre Produktgarantie/Garantierungsinformationen befinden sich in einem separaten Dokument. Bitte beachten Sie Ihre Kaufbedingungen und Garantien. Kontaktieren Sie Ihren Händler für weitere Informationen.

# GARANTEE

Die drei Jahre Produktgarantie/Garantierungsinformationen befinden sich in einem separaten Dokument. Bitte beachten Sie Ihre Kaufbedingungen und Garantien. Kontaktieren Sie Ihren Händler für weitere Informationen.

# GARANTEE

Die drei Jahre Produktgarantie/Garantierungsinformationen befinden sich in einem separaten Dokument. Bitte beachten Sie Ihre Kaufbedingungen und Garantien. Kontaktieren Sie Ihren Händler für weitere Informationen.

# GARANTEE



ТИП ОБОРУДОВАНИЯ: звуковая панель  
 Номер Модели: торговая марка: MF8400, Creative  
 Название и адрес представителя в таможенном союзе:  
 ООО "Транс-142081", Московская область, город Протвино, Оболонское шоссе, д.2, к.216,  
 Номер телефона: +7 (495) 369-00-84  
 Электронный адрес: proxy.labs@yandex.com

Название и адрес представителя в таможенном союзе:  
 Российская Федерация, Москва, 111123, проспект Электроградский, дом 16,  
 помещение VII, комната №1, основной государственный регистрационный номер:  
 117776150779,  
 номер телефона: +74957233-3731  
 адрес электронной почты: info@ipmgroup.ru

Данная информация предназначена только для соответствия органов таможенного союза (России, Белоруссии и Казахстана) по вопросам соответствия продукции

Для информации о продукте и гарантии, пожалуйста, посмотрите гарантийный талон из комплекта поставки или производителя (места и/или Указана на упаковке.

Данное устройство отвечает требованиям Технического регламента Таможенного союза ТР ТС 004/2011 «О безопасности низковольтного оборудования» уна. Решением КТ от 16.08.2011 г. №879

Технический регламент Таможенного Союза ТР ТС 002/2011 "Электронная совместимость технических средств" уна. Решением КТ от 03.12.2011 г. №879

ТЕХНИЧЕСКИЙ РЕГЛАМЕНТ Евразийского экономического союза «Об организации применения средств связи» уна. Решением КТ от 18.06.2011 г. №113

Решением Совета Евразийской экономической комиссии от 18 октября 2011 г. N 113



This telecommunication equipment conforms to NTN/CBTC technical requirement.

Herby, Creative Labs Pte. Ltd. declares the Bluetooth Speaker, model no. MF8400 is in compliance with Directive 2014/53/EU and Radio Equipment Regulations 2017. The full text of the EU and UK declaration of conformity is available at <http://www.creative.com/EUCD>.

Par la présente, Creative Labs Pte. Ltd. déclare que le Enceinte Bluetooth que le modèle n° MF8400 est conforme à la Directive 2014/53/UE. L'intégralité du texte de la déclaration de conformité européenne est disponible sur <http://www.creative.com/EUCD>.

Herby, Creative Labs Pte. Ltd. declara que el Altavoz Bluetooth, modelo n° MF8400 cumple con el establecido en la Directiva 2014/53/UE. El texto completo de la declaración de conformidad de la UE está disponible en <http://www.creative.com/EUCD>.

Herby, Creative Labs Pte. Ltd. dichiara che l'Altoparlante Bluetooth, modello n° MF8400 è conforme alla Direttiva 2014/53/UE. Il testo completo della dichiarazione di conformità UE è disponibile su <http://www.creative.com/EUCD>.

Herby, Creative Labs Pte. Ltd. deklaruje, da je Bluetooth zvučnik, modelnir MF8400 u skladu sa zahtevima Direktive 2014/53/EU. Celokupan tekst ovog izjave u skladu sa zahtevima Direktive 2014/53/EU je dostupan na <http://www.creative.com/EUCD>.

Herby, Creative Labs Pte. Ltd. deklaruje, da je Bluetooth zvučnik, modelnir MF8400 u skladu sa zahtevima Direktive 2014/53/EU. Celokupan tekst ovog izjave u skladu sa zahtevima Direktive 2014/53/EU je dostupan na <http://www.creative.com/EUCD>.

Herby, Creative Labs Pte. Ltd. deklaruje, da je Bluetooth zvučnik, modelnir MF8400 u skladu sa zahtevima Direktive 2014/53/EU. Celokupan tekst ovog izjave u skladu sa zahtevima Direktive 2014/53/EU je dostupan na <http://www.creative.com/EUCD>.

Herby, Creative Labs Pte. Ltd. deklaruje, da je Bluetooth zvučnik, modelnir MF8400 u skladu sa zahtevima Direktive 2014/53/EU. Celokupan tekst ovog izjave u skladu sa zahtevima Direktive 2014/53/EU je dostupan na <http://www.creative.com/EUCD>.

Herby, Creative Labs Pte. Ltd. deklaruje, da je Bluetooth zvučnik, modelnir MF8400 u skladu sa zahtevima Direktive 2014/53/EU. Celokupan tekst ovog izjave u skladu sa zahtevima Direktive 2014/53/EU je dostupan na <http://www.creative.com/EUCD>.

Herby, Creative Labs Pte. Ltd. deklaruje, da je Bluetooth zvučnik, modelnir MF8400 u skladu sa zahtevima Direktive 2014/53/EU. Celokupan tekst ovog izjave u skladu sa zahtevima Direktive 2014/53/EU je dostupan na <http://www.creative.com/EUCD>.

Herby, Creative Labs Pte. Ltd. deklaruje, da je Bluetooth zvučnik, modelnir MF8400 u skladu sa zahtevima Direktive 2014/53/EU. Celokupan tekst ovog izjave u skladu sa zahtevima Direktive 2014/53/EU je dostupan na <http://www.creative.com/EUCD>.

Herby, Creative Labs Pte. Ltd. deklaruje, da je Bluetooth zvučnik, modelnir MF8400 u skladu sa zahtevima Direktive 2014/53/EU. Celokupan tekst ovog izjave u skladu sa zahtevima Direktive 2014/53/EU je dostupan na <http://www.creative.com/EUCD>.

Herby, Creative Labs Pte. Ltd. deklaruje, da je Bluetooth zvučnik, modelnir MF8400 u skladu sa zahtevima Direktive 2014/53/EU. Celokupan tekst ovog izjave u skladu sa zahtevima Direktive 2014/53/EU je dostupan na <http://www.creative.com/EUCD>.

Herby, Creative Labs Pte. Ltd. deklaruje, da je Bluetooth zvučnik, modelnir MF8400 u skladu sa zahtevima Direktive 2014/53/EU. Celokupan tekst ovog izjave u skladu sa zahtevima Direktive 2014/53/EU je dostupan na <http://www.creative.com/EUCD>.

Herby, Creative Labs Pte. Ltd. deklaruje, da je Bluetooth zvučnik, modelnir MF8400 u skladu sa zahtevima Direktive 2014/53/EU. Celokupan tekst ovog izjave u skladu sa zahtevima Direktive 2014/53/EU je dostupan na <http://www.creative.com/EUCD>.

Herby, Creative Labs Pte. Ltd. deklaruje, da je Bluetooth zvučnik, modelnir MF8400 u skladu sa zahtevima Direktive 2014/53/EU. Celokupan tekst ovog izjave u skladu sa zahtevima Direktive 2014/53/EU je dostupan na <http://www.creative.com/EUCD>.

Herby, Creative Labs Pte. Ltd. deklaruje, da je Bluetooth zvučnik, modelnir MF8400 u skladu sa zahtevima Direktive 2014/53/EU. Celokupan tekst ovog izjave u skladu sa zahtevima Direktive 2014/53/EU je dostupan na <http://www.creative.com/EUCD>.

Herby, Creative Labs Pte. Ltd. deklaruje, da je Bluetooth zvučnik, modelnir MF8400 u skladu sa zahtevima Direktive 2014/53/EU. Celokupan tekst ovog izjave u skladu sa zahtevima Direktive 2014/53/EU je dostupan na <http://www.creative.com/EUCD>.

Herby, Creative Labs Pte. Ltd. deklaruje, da je Bluetooth zvučnik, modelnir MF8400 u skladu sa zahtevima Direktive 2014/53/EU. Celokupan tekst ovog izjave u skladu sa zahtevima Direktive 2014/53/EU je dostupan na <http://www.creative.com/EUCD>.

Herby, Creative Labs Pte. Ltd. deklaruje, da je Bluetooth zvučnik, modelnir MF8400 u skladu sa zahtevima Direktive 2014/53/EU. Celokupan tekst ovog izjave u skladu sa zahtevima Direktive 2014/53/EU je dostupan na <http://www.creative.com/EUCD>.

Herby, Creative Labs Pte. Ltd. deklaruje, da je Bluetooth zvučnik, modelnir MF8400 u skladu sa zahtevima Direktive 2014/53/EU. Celokupan tekst ovog izjave u skladu sa zahtevima Direktive 2014/53/EU je dostupan na <http://www.creative.com/EUCD>.

Herby, Creative Labs Pte. Ltd. deklaruje, da je Bluetooth zvučnik, modelnir MF8400 u skladu sa zahtevima Direktive 2014/53/EU. Celokupan tekst ovog izjave u skladu sa zahtevima Direktive 2014/53/EU je dostupan na <http://www.creative.com/EUCD>.

Herby, Creative Labs Pte. Ltd. deklaruje, da je Bluetooth zvučnik, modelnir MF8400 u skladu sa zahtevima Direktive 2014/53/EU. Celokupan tekst ovog izjave u skladu sa zahtevima Direktive 2014/53/EU je dostupan na <http://www.creative.com/EUCD>.

SV	OVERKILT	ANSLUTNINGSMÖJLIGHETER
1) Bluetooth	1) Bluetooth	1) Bluetooth
2) USB	2) USB	2) USB
3) FM	3) FM	3) FM
4) AUX	4) AUX	4) AUX
5) RCA	5) RCA	5) RCA
6) SPDIF	6) SPDIF	6) SPDIF
7) FireWire	7) FireWire	7) FireWire
8) Ethernet	8) Ethernet	8) Ethernet
9) Wi-Fi	9) Wi-Fi	9) Wi-Fi
10) NFC	10) NFC	10) NFC
11) MHL	11) MHL	11) MHL
12) DisplayPort	12) DisplayPort	12) DisplayPort
13) HDMI	13) HDMI	13) HDMI
14) DVI	14) DVI	14) DVI
15) VGA	15) VGA	15) VGA
16) S-Video	16) S-Video	16) S-Video
17) Component	17) Component	17) Component
18) FireWire	18) FireWire	18) FireWire
19) Thunderbolt	19) Thunderbolt	19) Thunderbolt
20) USB-C	20) USB-C	20) USB-C
21) USB-A	21) USB-A	21) USB-A
22) FireWire	22) FireWire	22) FireWire
23) Ethernet	23) Ethernet	23) Ethernet
24) Wi-Fi	24) Wi-Fi	24) Wi-Fi
25) NFC	25) NFC	25) NFC
26) MHL	26) MHL	26) MHL
27) DisplayPort	27) DisplayPort	27) DisplayPort
28) HDMI	28) HDMI	28) HDMI
29) DVI	29) DVI	29) DVI
30) VGA	30) VGA	30) VGA
31) S-Video	31) S-Video	31) S-Video
32) Component	32) Component	32) Component
33) FireWire	33) FireWire	33) FireWire
34) Thunderbolt	34) Thunderbolt	34) Thunderbolt
35) USB-C	35) USB-C	35) USB-C
36) USB-A	36) USB-A	36) USB-A
37) FireWire	37) FireWire	37) FireWire
38) Ethernet	38) Ethernet	38) Ethernet
39) Wi-Fi	39) Wi-Fi	39) Wi-Fi
40) NFC	40) NFC	40) NFC
41) MHL	41) MHL	41) MHL
42) DisplayPort	42) DisplayPort	42) DisplayPort
43) HDMI	43) HDMI	43) HDMI
44) DVI	44) DVI	44) DVI
45) VGA	45) VGA	45) VGA
46) S-Video	46) S-Video	46) S-Video
47) Component	47) Component	47) Component
48) FireWire	48) FireWire	48) FireWire
49) Thunderbolt	49) Thunderbolt	49) Thunderbolt
50) USB-C	50) USB-C	50) USB-C
51) USB-A	51) USB-A	51) USB-A
52) FireWire	52) FireWire	52) FireWire
53) Ethernet	53) Ethernet	53) Ethernet
54) Wi-Fi	54) Wi-Fi	54) Wi-Fi
55) NFC	55) NFC	55) NFC
56) MHL	56) MHL	56) MHL
57) DisplayPort	57) DisplayPort	57) DisplayPort
58) HDMI	58) HDMI	58) HDMI
59) DVI	59) DVI	59) DVI
60) VGA	60) VGA	60) VGA
61) S-Video	61) S-Video	61) S-Video
62) Component	62) Component	62) Component
63) FireWire	63) FireWire	63) FireWire
64) Thunderbolt	64) Thunderbolt	64) Thunderbolt
65) USB-C	65) USB-C	65) USB-C
66) USB-A	66) USB-A	66) USB-A
67) FireWire	67) FireWire	67) FireWire
68) Ethernet	68) Ethernet	68) Ethernet
69) Wi-Fi	69) Wi-Fi	69) Wi-Fi
70) NFC	70) NFC	70) NFC
71) MHL	71) MHL	71) MHL
72) DisplayPort	72) DisplayPort	72) DisplayPort
73) HDMI	73) HDMI	73) HDMI
74) DVI	74) DVI	74) DVI
75) VGA	75) VGA	75) VGA
76) S-Video	76) S-Video	76) S-Video
77) Component	77) Component	77) Component
78) FireWire	78) FireWire	78) FireWire
79) Thunderbolt	79) Thunderbolt	79) Thunderbolt
80) USB-C	80) USB-C	80) USB-C
81) USB-A	81) USB-A	81) USB-A
82) FireWire	82) FireWire	82) FireWire
83) Ethernet	83) Ethernet	83) Ethernet
84) Wi-Fi	84) Wi-Fi	84) Wi-Fi
85) NFC	85) NFC	85) NFC
86) MHL	86) MHL	86) MHL
87) DisplayPort	87) DisplayPort	87) DisplayPort
88) HDMI	88) HDMI	88) HDMI
89) DVI	89) DVI	89) DVI
90) VGA	90) VGA	90) VGA
91) S-Video	91) S-Video	91) S-Video
92) Component	92) Component	92) Component
93) FireWire	93) FireWire	93) FireWire
94) Thunderbolt	94) Thunderbolt	94) Thunderbolt
95) USB-C	95) USB-C	95) USB-C
96) USB-A	96) USB-A	96) USB-A
97) FireWire	97) FireWire	97) FireWire
98) Ethernet	98) Ethernet	98) Ethernet
99) Wi-Fi	99) Wi-Fi	99) Wi-Fi
100) NFC	100) NFC	100) NFC
101) MHL	101) MHL	101) MHL
102) DisplayPort	102) DisplayPort	102) DisplayPort
103) HDMI	103) HDMI	103) HDMI
104) DVI	104) DVI	104) DVI
105) VGA	105) VGA	105) VGA
106) S-Video	106) S-Video	106) S-Video
107) Component	107) Component	107) Component
108) FireWire	108) FireWire	108) FireWire
109) Thunderbolt	109) Thunderbolt	109) Thunderbolt
110) USB-C	110) USB-C	110) USB-C
111) USB-A	111) USB-A	111) USB-A
112) FireWire	112) FireWire	112) FireWire
113) Ethernet	113) Ethernet	113) Ethernet
114) Wi-Fi	114) Wi-Fi	114) Wi-Fi
115) NFC	115) NFC	115) NFC
116) MHL	116) MHL	116) MHL
117) DisplayPort	117) DisplayPort	117) DisplayPort
118) HDMI	118) HDMI	118) HDMI
119) DVI	119) DVI	119) DVI
120) VGA	120) VGA	120) VGA
121) S-Video	121) S-Video	121) S-Video
122) Component	122) Component	122) Component
123) FireWire	123) FireWire	123) FireWire
124) Thunderbolt	124) Thunderbolt	124) Thunderbolt
125) USB-C	125) USB-C	125) USB-C
126) USB-A	126) USB-A	126) USB-A
127) FireWire	127) FireWire	127) FireWire
128) Ethernet	128) Ethernet	128) Ethernet
129) Wi-Fi	129) Wi-Fi	129) Wi-Fi
130) NFC	130) NFC	130) NFC
131) MHL	131) MHL	131) MHL
132) DisplayPort	132) DisplayPort	132) DisplayPort
133) HDMI	133) HDMI	133) HDMI
134) DVI	134) DVI	134) DVI
135) VGA	135) VGA	135) VGA
136) S-Video	136) S-Video	136) S-Video
137) Component	137) Component	137) Component
138) FireWire	138) FireWire	138) FireWire
139) Thunderbolt	139) Thunderbolt	139) Thunderbolt
140) USB-C	140) USB-C	140) USB-C
141) USB-A	141) USB-A	141) USB-A
142) FireWire	142) FireWire	142) FireWire
143) Ethernet	143) Ethernet	143) Ethernet
144) Wi-Fi	144) Wi-Fi	144) Wi-Fi
145) NFC	145) NFC	145) NFC
146) MHL	146) MHL	146) MHL
147) DisplayPort	147) DisplayPort	147) DisplayPort
148) HDMI	148) HDMI	148) HDMI
149) DVI	149) DVI	149) DVI
150) VGA	150) VGA	150) VGA
151) S-Video	151) S-Video	151) S-Video
152) Component	152) Component	152) Component
153) FireWire	153) FireWire	153) FireWire
154) Thunderbolt	154) Thunderbolt	154) Thunderbolt
155) USB-C	155) USB-C	155) USB-C
156) USB-A	156) USB-A	156) USB-A
157) FireWire	157) FireWire	157) FireWire
158) Ethernet	158) Ethernet	158) Ethernet
159) Wi-Fi	159) Wi-Fi	159) Wi-Fi
160) NFC	160) NFC	160) NFC
161) MHL	161) MHL	161) MHL
162) DisplayPort	162) DisplayPort	162) DisplayPort
163) HDMI	163) HDMI	163) HDMI
164) DVI	164) DVI	164) DVI
165) VGA	165) VGA	165) VGA
166) S-Video	166) S-Video	166) S-Video
167) Component	167) Component	167) Component
168) FireWire	168) FireWire	168) FireWire
169) Thunderbolt	169) Thunderbolt	169) Thunderbolt
170) USB-C	170) USB-C	170) USB-C
171) USB-A	171) USB-A	171) USB-A
172) FireWire	172) FireWire	172) FireWire
173) Ethernet	173) Ethernet	173) Ethernet
174) Wi-Fi	174) Wi-Fi	174) Wi-Fi
175) NFC	175) NFC	175) NFC
176) MHL	176) MHL	176) MHL
177) DisplayPort	177) DisplayPort	177) DisplayPort
178) HDMI	178) HDMI	178) HDMI
179) DVI	179) DVI	179) DVI
180) VGA	180) VGA	180) VGA
181) S-Video	181) S-Video	181) S-Video
182) Component	182) Component	182) Component
183) FireWire	183) FireWire	183) FireWire
184) Thunderbolt	184) Thunderbolt	184) Thunderbolt
185) USB-C	185) USB-C	185) USB-C
186) USB-A	186) USB-A	186) USB-A
187) FireWire	187) FireWire	187) FireWire
188) Ethernet	188) Ethernet	188) Ethernet
189) Wi-Fi	189) Wi-Fi	189) Wi-Fi
190) NFC	190) NFC	190) NFC
191) MHL	191) MHL	191) MHL
192) DisplayPort	192) DisplayPort	192) DisplayPort
193) HDMI	193) HDMI	193) HDMI
194) DVI	194) DVI	194) DVI
195) VGA	195) VGA	195) VGA
196) S-Video	196) S-Video	196) S-Video
197) Component	197) Component	197) Component
198) FireWire	198) FireWire	198) FireWire
199) Thunderbolt	199) Thunderbolt	199) Thunderbolt
200) USB-C	200) USB-C	200) USB-C
201) USB-A	201) USB-A	201) USB-A
202) FireWire	202) FireWire	202) FireWire