



COLOR LASER PRINTER

Lexmark C792 Series

The Lexmark C792 Series color laser printers combine robust design with brilliant color printing, exceptional media handling, flexible finishing options and an intuitive color touch screen.



Other available models:

- **Lexmark C792e:** Enjoy the benefits of workgroup color laser printing through a robust design combined with exceptional media handling and an intuitive color touch screen
- **Lexmark C792de:** Includes duplex
- **Lexmark C792dte:** Includes duplex and additional 550-sheet drawer
- **Lexmark C792dhe:** Includes duplex, hard disk, three additional 550-sheet drawers, 1GB memory and caster base

Flexible, robust color printing



Color



4.3-Inch
Touch Screen



Solutions



Duplex
Printing*



Up to
50 ppm



Network



Finishing
Function



Security



Eco-Friendly

* Duplex not available on C792e model.

Overview

Robust color printing

Designed for medium to large workgroups, the Lexmark C792 Series meets the demands of your busy color-printing environment. Vibrant, professional-quality output and the ability to print on a wide variety of media allow you to do more color printing in-house. With the advanced color laser technology of the C792 Series, you'll get excellent, consistent color from the first page to the last.

- ▶ Lexmark Extra High Yield Print Cartridge available, offering yields of up to 20,000* pages
- ▶ Print and duplex** speeds as fast as 50 ppm in both black and color
- ▶ Match brand sensitive corporate colors on marketing collateral and within Microsoft Office with Lexmark Named Color Replacement and PANTONE calibration
- ▶ Lexmark Color Care Technology to manage color usage and control costs
- ▶ Instant warm-up fuser to help reduce energy consumption and improve time to first page

Flexibility

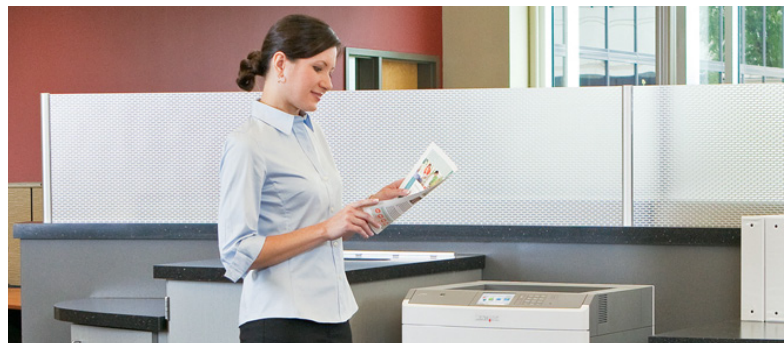
Choose from a variety of models to best serve your needs. Select from a number of expandability options and finishing features you would expect from more expensive products.

- ▶ Ultra-reliable paper feeding to support diverse media, including card stock, labels, UV-resistant outdoor media, banner media and more
- ▶ Robust output options, including a five-bin assignable mailbox, an offset stacker, a staple finisher, and a staple with hole punch finisher
- ▶ Input capacity expandable to up to 3,200 sheets with the high-capacity feeder and an extra drawer
- ▶ Connectivity and application solution cards allow integration into most IT environments

Easy and intuitive

The Lexmark C792 Series is designed for easy operation and maintenance.

- ▶ 4.3-inch color touch screen provides audible feedback to make completing tasks intuitive
- ▶ Print Preview features help you select documents or specific pages within a document
- ▶ Directional lights on the device provide visual cues to guide you through tasks and maintenance operations
- ▶ Ability to change settings such as duplex** or stapling at the device
- ▶ Available device fleet management software
- ▶ Sleep button and Hibernate Mode, helping to reduce energy costs



*Average continuous black or composite CMY declared cartridge yield in accordance with ISO/IEC 19798.

**Duplex not available on C792e model.

Solutions

Save time and money through solutions

Reduce unnecessary printing and simplify work processes with Lexmark solutions. The C792 Series features the Lexmark Embedded Solutions Framework (eSF), our platform that enables you to add a wide range of software applications directly onto the device. Solutions are designed with your productivity in mind, helping you streamline—or even eliminate—paper intensive business processes.

Below are solutions that come preloaded on the C792 Series. A diverse portfolio of additional Lexmark solutions is available to help accommodate your workflow needs.



Preloaded solutions* on the C792 Series:

Forms and Favorites



Eliminate waste and inefficiencies associated with preprinted forms. Store frequently printed forms, marketing materials or other documents online, then print them on demand.

Eco Settings



Lets you change up to six different device settings to enhance environmental savings: Eco-Mode, two-sided printing, time to standby mode, time to Power Saver mode, screen brightness, and Quiet Mode.

Showroom



Display a customizable, scrolling slideshow on the color touch screen to promote your business or products, or to communicate important messages to your customers or employees.

Background and Idle Screen



Change the touch screen background to your corporate logo, a unique message, or select one of the four screens that are preloaded on the device.

Change Language**



Easily switch the language displayed on the touch screen—18 languages supported.

Key Features



Intuitive color touch screen

Operate your device with ease through smart and intuitive navigation with audible and tactile feedback when you use the touch screen.



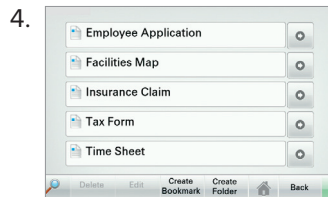
Flexible output options

Choose from four output options, including a five-bin mailbox, an offset stacker, a staple finisher, and a staple with hole punch finisher.



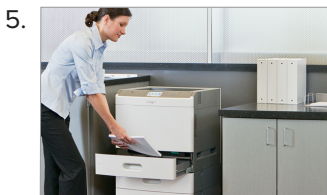
Direct USB

A front USB port allows for convenient walk-up preview and printing and is compatible with most printable image file formats.



Lexmark solutions

Reduce unnecessary printing and simplify work processes through solutions applications preloaded on your device. Choose additional Lexmark solutions to fit your unique workflow needs.



Expandable input

Print on multiple paper types and boost total capacity up to 3,200 sheets.

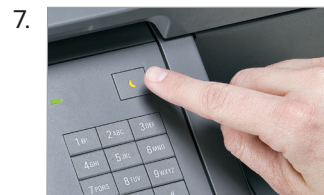


Long-lasting toner

The Lexmark Extra High Yield Print Cartridge delivers up to 20,000* pages, reducing interventions, cartridge waste and cost.



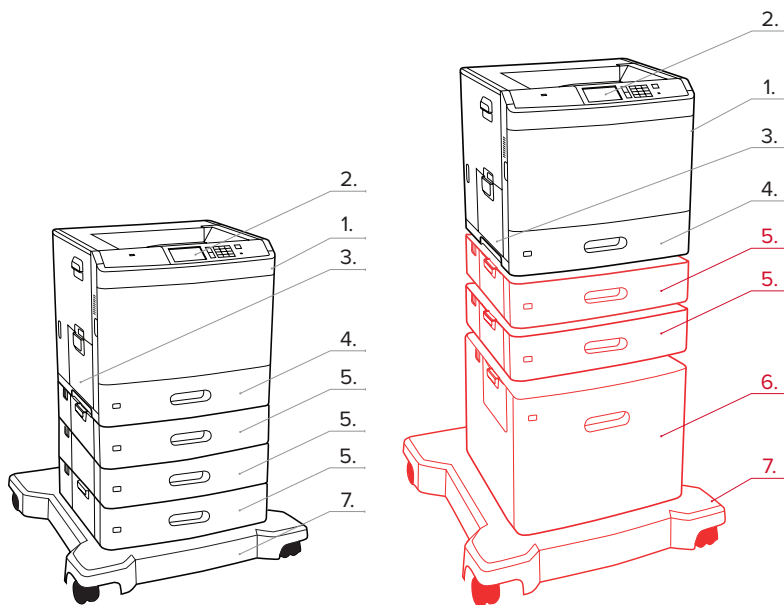
Lexmark C792dhe color laser printer shown with optional finisher



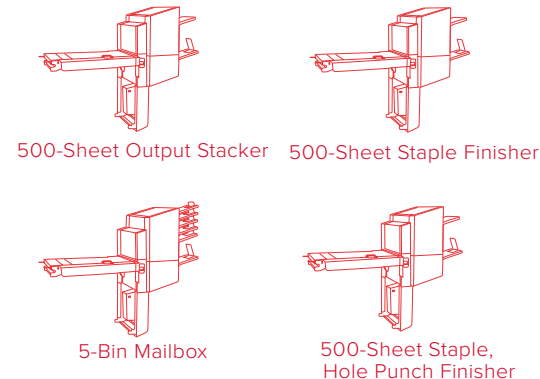
Eco-friendly features

Easy-to-access features make it easy to print responsibly, including Eco-Mode to reduce paper and toner consumption, and the Sleep button and Hibernate Mode to help you save energy.

C792 Series Ordering Information



1. Finishing Functions



- 2. 4.3" Touch Screen
- 3. 100-Sheet Feeder
- 4. 550-Sheet Tray
- 5. 550-Sheet Drawer
- 6. 2000-Sheet High Capacity Feeder
- 7. Caster Base

Standard
 Optional

C792 Series

Part #	Model
47B0000	Lexmark C792e
47B0001	Lexmark C792de
47B0002	Lexmark C792dte
47B0003	Lexmark C792dhe

Part #	Laser Toner/Print Cartridge
C792X1KG	C792 Black Extra High Yield Return Program Print Cartridge
C792X1CG	C792 Cyan Extra High Yield Return Program Print Cartridge
C792X1MG	C792 Magenta Extra High Yield Return Program Print Cartridge
C792X1YG	C792 Yellow Extra High Yield Return Program Print Cartridge
C792A1KG	C792, X792 Black Return Program Print Cartridge
C792A1CG	C792, X792 Cyan Return Program Print Cartridge
C792A1MG	C792, X792 Magenta Return Program Print Cartridge
C792A1YG	C792, X792 Yellow Return Program Print Cartridge
C792X2KG	C792 Black Extra High Yield Print Cartridge
C792X2CG	C792 Cyan Extra High Yield Print Cartridge
C792X2MG	C792 Magenta Extra High Yield Print Cartridge
C792X2YG	C792 Yellow Extra High Yield Print Cartridge
C792X77G	C792, X792 Waste Toner Bottle
25A0013	Staple Cartridges (3 pack)

Part #	Paper Handling
47B0110	C792, X792 550-Sheet Drawer
47B0111	C792, X792 2000-Sheet High Capacity Feeder
47B1101	C792, X792 5-Bin Mailbox
47B1102	C792, X792 500-Sheet Offset Stacker
47B1100	C792, X792 500-Sheet Staple Finisher
47B1103	C792, X792 500-Sheet Staple, Hole Punch Finisher
47B0112	C792, X792 Spacer
47B0113	C792, X792 Banner Media Tray

Part #	Furniture
47B0114	C792, X792 Caster Base

Part #	Memory Options
1025041	256MB DDR2-DRAM
1025042	512MB DDR2-DRAM
1025043	1024MB DDR2-DRAM

14F0245	256MB Flash Card
27X0014	160+ GB Hard Disk
30G0287	Arabic Font Card
30G0828	Japanese Font Card
30G0825	Korean Font Card
30G0826	Simplified Chinese Font Card
30G0827	Traditional Chinese Font Card

Part #	Application Solutions
47B1115	C792 Card for PRESCRIBE Emulation
47B1113	C792 Forms and Bar Code Card
47B1114	C792 Card for IPDS
57X9000	Lexmark PrintCryption Card

Part #	Connectivity
27X0025	MarkNet N8250 802.11b/g/n Wireless Print Server
14F0037	MarkNet N8120 Gigabit Ethernet Print Server
14F0042	MarkNet N8130 Fiber Ethernet 100BaseFX, 10BaseFL Print Server
14T0220	MarkNet™ N7020e Gigabit Ethernet Print Server
1021294	USB Cable (2-meter)
14F0000	Parallel 1284-B Interface Card
1021231	Parallel Cable (10-foot)
14F0100	RS-232C Serial Interface Card

Part #	Extended Warranties
2353754	C792 2-Years Total Onsite Service, Next Business Day
2353755	C792 3-Years Total Onsite Service, Next Business Day
2353756	C792 4-Years Total Onsite Service, Next Business Day
2353757	C792 5-Years Total Onsite Service, Next Business Day
2353758	C792 1-Year Onsite Service Renewal, Next Business Day

Part #	User Replaceable Parts
40X7100	C792, X792 Fuser Maintenance Kit 110-120V
40X7103	C792, X792 Transfer module Maintenance Kit

Part #	Service Parts
40X6104	Pick Tire for Trays
40X7178	MPF Pick Tires and Wear Strip

C792 Series Product Specifications



Product specifications	Lexmark C792e	Lexmark C792de	Lexmark C792dte	Lexmark C792dhe
Printing				
Print Technology	Color Laser			
Display	Lexmark e-Task 4.3-inch (25.9 cm) color touch screen			
Print Speed: Up to ¹	Black: 50 ppm / Color: 50 ppm			
Time to First Page: As fast as	Black: 8 seconds / Color: 8.5 seconds			
Print Resolution	1200 x 1200 dpi, 4800 Color Quality (2400 x 600 dpi)			
Memory	Standard: 512 MB / Maximum: 1536 MB			Standard: 1024 MB / Maximum: 1536 MB
Hard Disk	Option available			Included in configuration
Print Noise Level, Operating / Idle	52 dBA / 29 dBA			
Recommended Monthly Page Volume ²	Up to 25,000 pages			
Maximum Monthly Duty Cycle: Up to ³	150000 pages per month			
Supplies				
Supplies Yield (*Average continuous black or continuous composite CMY declared cartridge yield up to this number of standard pages in accordance with ISO/IEC 19798.)	6,000*-page (CMYK) Print Cartridges, 20,000*-page (CMYK) Extra High Yield Print Cartridges			
Paper Handling				
Paper Handling Standard	500-Sheet Output Bin, 100-Sheet Multipurpose Feeder, 550-Sheet Input Tray	500-Sheet Output Bin, Integrated Duplex, 100-Sheet Multipurpose Feeder, 550-Sheet Input Tray	500-Sheet Output Bin, Integrated Duplex, 100-Sheet Multipurpose Feeder, 550-Sheet Drawer, 550-Sheet Input Tray	500-Sheet Output Bin, Integrated Duplex, 100-Sheet Multipurpose Feeder, 550-Sheet Input Tray, 3 x 550-Sheet Drawers
Paper Handling Optional	5-Bin Mailbox, 550-Sheet Drawer, Optional furniture required., 2,000-Sheet High-Capacity Feeder, 500-Sheet O set Stacker, 500-Sheet Staple Finisher, 500-Sheet Staple Punch Finisher		5-Bin Mailbox, 550-Sheet Drawer, Optional furniture required., Banner Media Tray, 2,000-Sheet High-Capacity Feeder, 500-Sheet O set Stacker, 500-Sheet Staple Finisher, 500-Sheet Staple Punch Finisher	5-Bin Mailbox, Banner Media Tray, 500-Sheet O set Stacker, 500-Sheet Staple Finisher, 500-Sheet Staple Punch Finisher
Paper Input Capacity, Standard: Up to	650 pages 20 lb or 75 gsm bond		1200 pages 20 lb or 75 gsm bond	2300 pages 20 lb or 75 gsm bond
Paper Input Capacity, Maximum: Up to	3200 pages 20 lb or 75 gsm bond			2300 pages 20 lb or 75 gsm bond
Media Types Supported	Card Stock, Dual Web Labels, Envelopes, Glossy Paper, Integrated Labels, Paper Labels, Plain Paper, Polyester Labels, Transparencies, Vinyl Labels, Refer to the Card Stock & Label Guide, Outdoor Media, Banner Paper			
General				
Function	Color Printing			
Limited Warranty	1-Year Onsite Service, Next Business Day			
Product Certifications	www.lexmark.com			
Specified Operating Environment	Temperature: 16 to 32°C (60 to 90°F), Humidity: 8 to 80% Relative Humidity, Altitude: 0 - 3048 Meters (10,000 Feet)			
Size (in. - H x W x D) / Weight (lb.)	20.3 x 22.3 x 20.2 in. / 110 lb.		25.5 x 22.3 x 20.2 in. / 131 lb.	40.5 x 26.1 x 25.9 in. / 231 lb.
Furniture				
Caster Base	Optional, (Required for floor standing configuration)			Included
Spacer	Available			Not available

¹Average continuous black or composite CMY declared cartridge yield in accordance with ISO/IEC 19798.

²“Recommended Monthly Page Volume” is a range of pages that helps customers evaluate Lexmark’s product offerings based on the average number of pages customers plan to print on the device each month. Lexmark recommends that the number of pages per month be within the stated range for optimum device performance, based on factors including: supplies replacement intervals, paper loading intervals, speed, and typical customer usage.

³“Maximum Monthly Duty Cycle” is defined as the maximum number of pages a device could deliver in a month using a multishift operation. This metric provides a comparison of robustness in relation to other Lexmark printers and MFPs.

⁴Print and copy speeds measured in accordance with ISO/IEC 24734, excludes first set of text documents.

For more information see: www.lexmark.com/ISOspeeds.

LEXMARKTM



www.lexmark.com

Lexmark and Lexmark with the diamond design are trademarks of Lexmark International, Inc., registered in the United States and/or other countries. All other trademarks are the property of their respective owners. ENERGY STAR® is a U.S. registered mark. Information in this document is subject to change without notice. Unison is a trademark of Lexmark International, Inc. Information in this document is subject to change without notice.

AirPrint and the AirPrint logo are trademarks of Apple Inc.