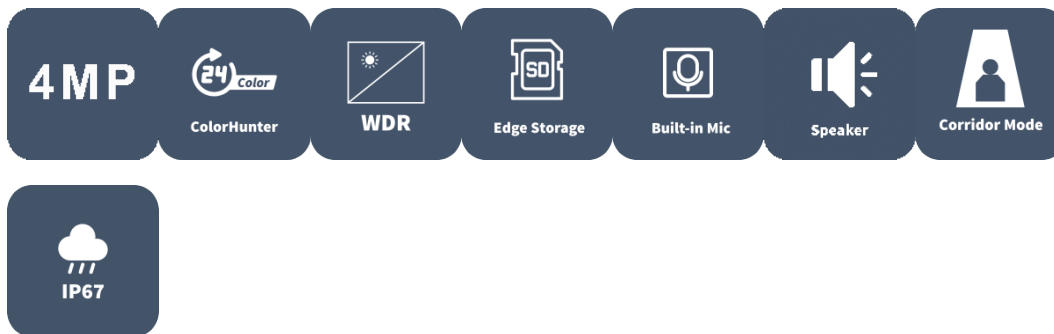


# 4MP HD ColorHunter Mini IR Fixed Bullet Network Camera

IPC2124LE-ADF28(40)KMC-DL



## Specifications

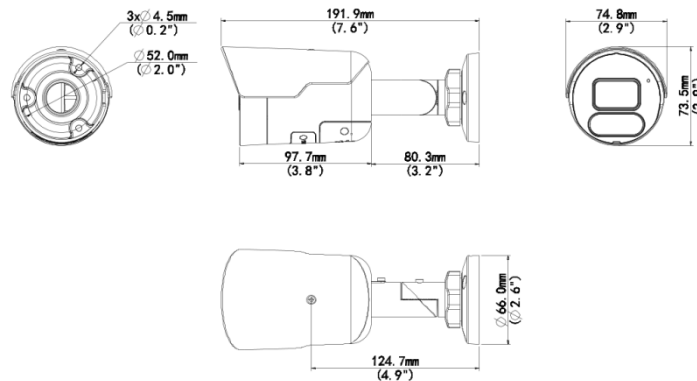
Camera	Description
Resolution	4MP
Sensor	1/3.0" CMOS
Min. Illumination	Colour: 0.003 lux ( F1.6, AGC ON) 0 Lux with light
Day/Night	IR-cut filter with auto switch (ICR)
Shutter	Auto/Manual, 1 ~ 1/100000s
Adjustment angle	Pan: 0° ~ 360°, Tilt: 0° ~ 90°, Rotate: 0° ~ 360°
S/N	>52dB
WDR	120dB
Lens	Description
Lens type	IPC2124LE-ADF28KMC-DL:2.8mm IPC2124LE-ADF40KMC-DL:4.0mm

Iris Type	Fixed
Iris	F1.6
Field of View (H)	IPC2124LE-ADF28KMC-DL:97.0° IPC2124LE-ADF40KMC-DL:79.0°
Field of View (V)	IPC2124LE-ADF28KMC-DL:52.2° IPC2124LE-ADF40KMC-DL:42.3°
Field of View (D)	IPC2124LE-ADF28KMC-DL:107.5° IPC2124LE-ADF40KMC-DL:85.1°
<b>DORI</b>	<b>Description</b>
DORI Distance (Lens)	IPC2124LE-ADF28KMC-DL:2.8mm IPC2124LE-ADF40KMC-DL:4.0mm
DORI Distance (Detect)	IPC2124LE-ADF28KMC-DL:63.0m(206.7ft) IPC2124LE-ADF40KMC-DL:90.0m(295.2ft)
DORI Distance (Observe)	IPC2124LE-ADF28KMC-DL:25.2m(82.7ft) IPC2124LE-ADF40KMC-DL:36.0m(118.1ft)
DORI Distance (Recognize)	IPC2124LE-ADF28KMC-DL:12.6m(41.3ft) IPC2124LE-ADF40KMC-DL:18.0m(59.1ft)
DORI Distance (Identify)	IPC2124LE-ADF28KMC-DL:6.3m(20.7ft) IPC2124LE-ADF40KMC-DL:9.0m(29.5ft)
<b>Illuminator</b>	<b>Description</b>
Illumination Distance(IR)	30m
Illumination Distance(Warm Light)	30m
Wavelength	850nm
Light On/Off Control	Auto/Manual
<b>Video</b>	<b>Description</b>
Video Compression	Ultra 265; H.265; H.264; MJPEG
H.264 code profile	Baseline profile, Main profile, High profile
Frame Rate	Main Stream: 4MP (2688*1520), Max 25fps;4MP (2560*1440), Max 25fps; 3MP (2304*1296), Max 30fps; 1080P (1920*1080), Max 30fps; 720P (1280*720), Max 30fps; Sub Stream: 720P (1280*720), Max 30fps; D1 (720*576), Max 30fps; 640*360,Max 30fps;
Video Bit Rate	128 Kbps~16 Mbps
U-code	Support
OSD	Up to 4 OSDs
Privacy Mask	Up to 4 areas
ROI	Up to 8 areas
Video stream	Dual streams
<b>Image</b>	<b>Description</b>
White Balance	Auto; Outdoor; Fine Tune; Sodium Lamp; Locked; Auto2
Digital noise reduction	2D/3D DNR
Smart IR	Support
Flip	Normal; Flip Vertical; Flip Horizontal; 180°; 90°Clockwise; 90°Anti-clockwise

Dewarping	N/A
HLC	Support
BLC	Support
Defog	Digital Defog
<b>Events</b>	<b>Description</b>
Basic Detection	Cross line; intrusion(based on human body detection); Motion detection; Ultra motion detection; Tampering alarm; Audio detection
General Function	Watermark; IP Address Filtering; Access Policy; ARP Protection; RTSP Authentication; User Authentication; HTTP Authentication
<b>Audio</b>	<b>Description</b>
Audio Compression	G.711U; G.711A
Audio Bitrate	64 Kbps
Two-way Audio	Support
Suppression	Support
Sampling Rate	8KHZ
<b>Storage</b>	<b>Description</b>
Edge Storage	Micro SD, up to 128 GB
Network Storage	ANR; NAS(NFS)
<b>Network</b>	<b>Description</b>
Protocols	IPv4; IGMP; ICMP; ARP; TCP; UDP; DHCP; RTP; RTSP; RTCP; RTMP; DNS; DDNS; NTP; FTP; UPnP; HTTP; HTTPS; SMTP; SSL/TLS; SNMP; QoS
Compatible Integration	ONVIF (Profile S, Profile G, Profile T); API; SDK
User/Host	Up to 32 users. 3 user levels: administrator, common user and operator
Security	Password protection; Strong password; HTTPS encryption; Export operation logs; Basic and digest authentication for RTSP; Digest authentication for HTTP; TLS 1.2; WSSE and digest authentication for ONVIF
Client	UNV-Link; UNV-Link Pro; EZStation
Web Browser	Plug-in required live view: IE 10 and above, Chrome 45 and above, Firefox 52 and above, Edge 79 and above; Plug-in free live view: Chrome 57.0 and above, Firefox 58.0 and above, Edge 16 and above
<b>Interface</b>	<b>Description</b>
Audio I/O	N/A
Alarm I/O	N/A
Serial Port	N/A
Built-in Mic	Support
Built-in Speaker	Support
WIFI	N/A
Network	1 * RJ45 10M/100M Base-TX Ethernet
Video Output	N/A
<b>Certification</b>	<b>Description</b>
EMC	CE-EMC (EN 55032, EN 61000-3-3, EN IEC 61000-3-2, EN 50130) FCC (FCC 47 CFR part15 B)

Safety	CE LVD (EN 62368-1) UL/CUL (UL 62368-1, CAN/CSA C22.2 No. 62368-1)
Environment	CE-RoHS (2011/65/EU;(EU)2015/863); WEEE (2012/19/EU);
Protection	IP67 (IEC 60529)
<b>General</b>	<b>Description</b>
Power	DC 12V±25%, PoE (IEEE 802.3af) Power consumption: Max 9.0W
Power Interface	Ø 5.5mm coaxial power plug
Dimensions	192×75×74mm (7.6" ×2.9" ×2.9" )
Weight	0.40kg (0.88lb)
Material	Graphene + Metal
Working Environment	-30 °C ~ 60 °C (-22 °F ~ 140 °F), Humidity: ≤95% RH (non-condensing)
Storage Environment	-30 °C ~ 60 °C (-22 °F ~ 140 °F), Humidity: ≤95% RH (non-condensing)
Surge protection	4KV
Reset button	Support
Web Client Language	4 Languages English, Russian, Spanish, Vietnamese

## Dimensions



### Zhejiang Uniview Technologies Co., Ltd.

No. 369, Xietong Road, Xixing Sub-district, Binjiang District, Hangzhou City, 310051, Zhejiang Province, China

Email: [overseasbusiness@uniview.com](mailto:overseasbusiness@uniview.com); [globalsupport@uniview.com](mailto:globalsupport@uniview.com)

<http://www.uniview.com>

©2024 Zhejiang Uniview Technologies Co., Ltd. All rights reserved.

\*Product specifications and availability are subject to change without notice.

\*Despite our best efforts, technical or typographical errors may exist in this document. Uniview cannot be held responsible for any such errors and reserves the right to change the contents of this document without prior notice.