

## Product Datasheet

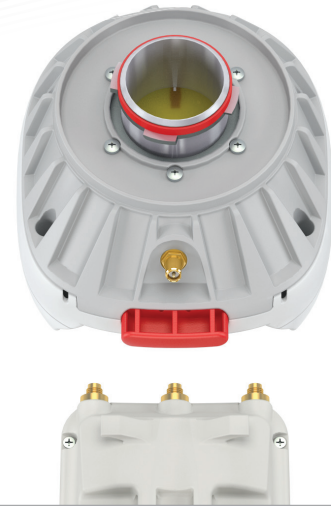
Product ID: TP-ADAP-R5AC-PRISM



# TwistPort™ Adaptor for Rocket 5AC Prism

ADAPTOR FOR ROCKET® 5AC PRISM

The TwistPort™ Adaptor for Rocket 5AC Prism makes the Rocket® compatible with all TwistPort™ Antennas. TwistPort™ Adaptors are equipped with our original quick locking waveguide port. Connecting and disconnecting the Rocket® 5AC Prism from the TwistPort™ Adaptor is very simple and requires no tools.



### TECHNICAL DATA

Antenna Connection	TwistPort - Quick Locking Waveguide Port
Radio Connection	3x Slide-On RP-SMA and 1x RP-SMA for GPS
Materials	Insert - Aluminium Alloy Adaptor - UV stabilized and weather resistant ABS plastic
Flame Rating	UL 94 HB
Temperature	-40°C to +60°C (-40°F to +140°F)
Wind Survival	160 km/h
Weight	0.41 Kg / 0.9 lbs* – single unit 0.51 Kg / 1.1 lbs* – single unit incl. package 12 Kg / 26.4 lbs* – carton (20 units)
Single Unit	Retail Box: 17.3 × 12.6 × 9.8 cm*
20 Units	Carton Box: N/A

\*Estimation based on pre-production units. Subject to change.

### PERFORMANCE

Frequency Range	5180 - 6400 MHz
Polarization	Dual Linear H + V
VSWR Max	1.8
Impedance	50 Ohm

### COMPATIBLE WIRELESS PLATFORMS

RF elements®	any TwistPort™ Antenna
Ubiquiti Networks®	Rocket® 5AC Prism

### PACKAGE CONTENTS

TwistPort™ Adaptor

### PRODUCT DIMENSIONS

