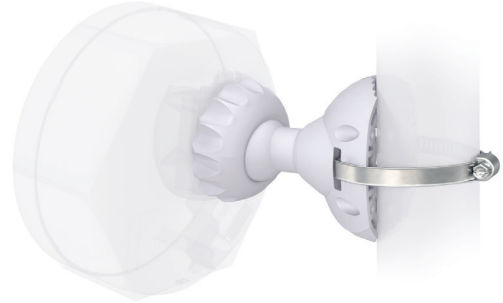


# NanoBracket® Light for RB SXT

## BRACKET FOR ROUTERBOARD™ SXT

NanoBracket® Light for SXT is a mounting system designed for the RB-SXT Series from MikroTik™. A 3rd Generation design of our popular NanoBracket® it's an ultra-compact solid bracket made of UV resistant ABS plastic.

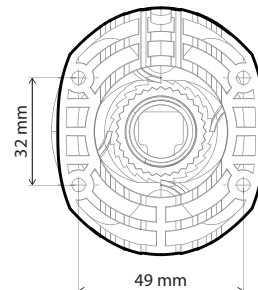
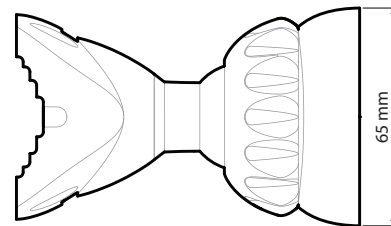
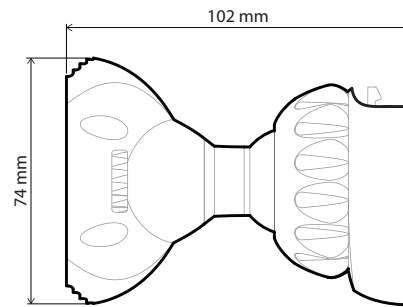
Precise adjustment of dual polarization antennas is critical to achieve the best RF performance. Our patent pending ball hinge allows for 70° of smooth and precise adjustment in azimuth, elevation and rotation.



### TECHNICAL DATA

Materials	Bracket, Holder - UV stabilized and weather resistant ABS plastic Hardware - Stainless Steel
Flame Rating	UL 94 HB
Pole Mounting Diameter	50-70 mm
Wall Mounting	Yes
Operating Temp.	-30 to + 60 °C (-22°F to +140°F)
Wind Survival	120 Km/h
Weight	0.17 Kg / 0.37 lbs – single unit incl. package 9.2 Kg / 20.28 lbs – carton (50 units)
Single Unit	Retail Box: 13 x 7 x 8 cm
50 units	Carton Box: 43 x 28 x 38 cm

### PRODUCT DIMENSIONS



### COMPATIBLE WIRELESS PLATFORMS

MikroTik™ RouterBoard™ SXT

### PACKAGE CONTENTS

- Bracket Body
- Screw 3,5 x 45 mm (4 pcs)
- Wall Plug (4 pcs)

Use hose clamp supplied with your RB SXT.