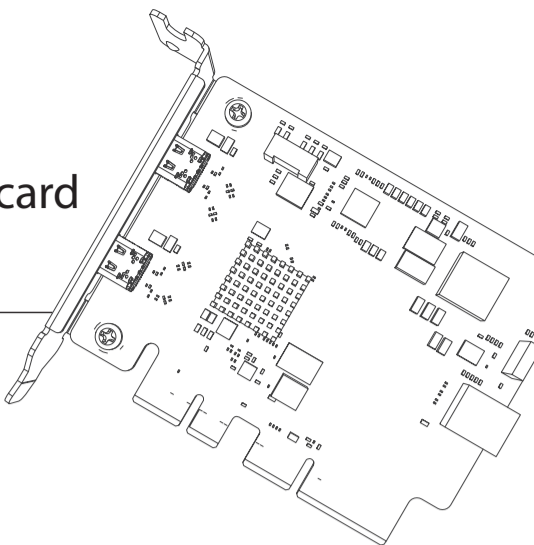
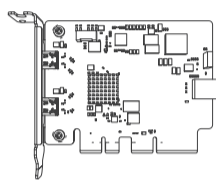


Dual USB 4 Type-C expansion card QXP-40G2UC



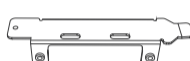
Package contents



QXP expansion card +
Low-profile bracket



Full-height bracket



Low-profile flat bracket

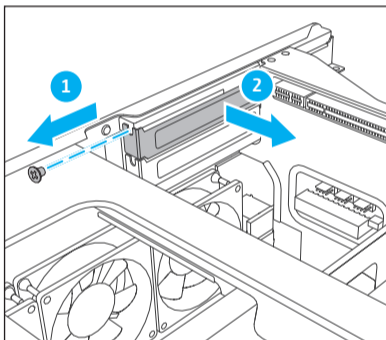


Extra screw pack

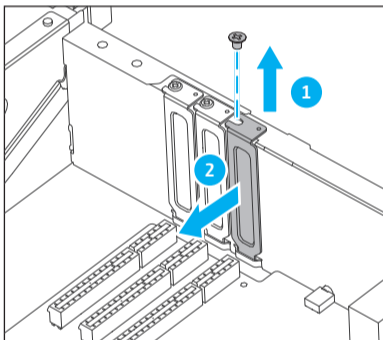
I. Remove PCIe cover

Remove the PCIe cover and identify the required bracket.

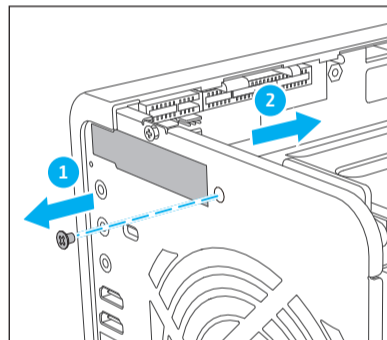
Use full-height bracket



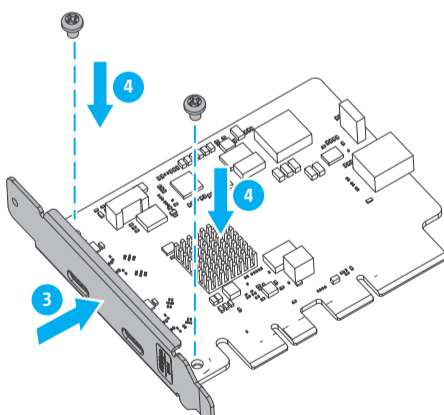
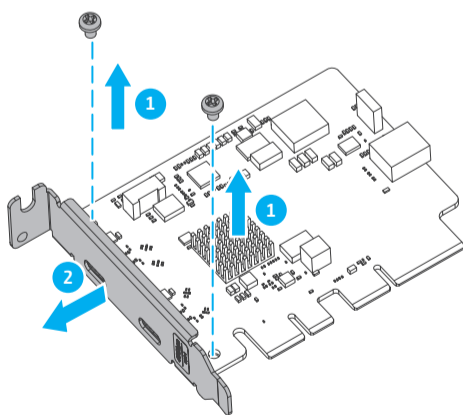
Use low-profile bracket



Use low-profile flat bracket

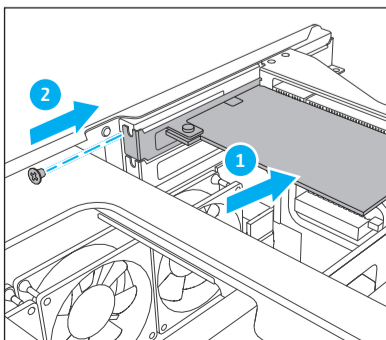


II. Change the bracket

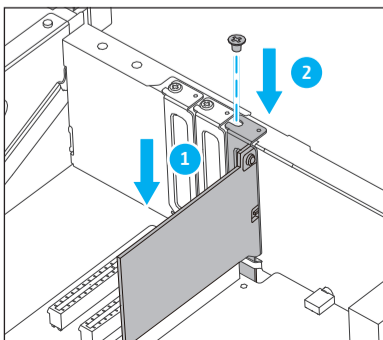


III. Install the USB Adapter in the NAS or PC

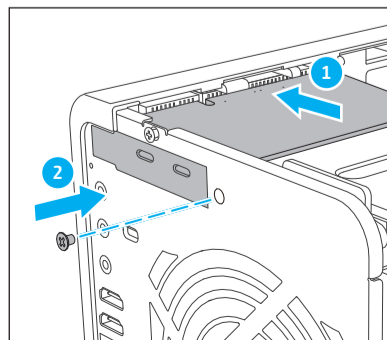
Full-height bracket

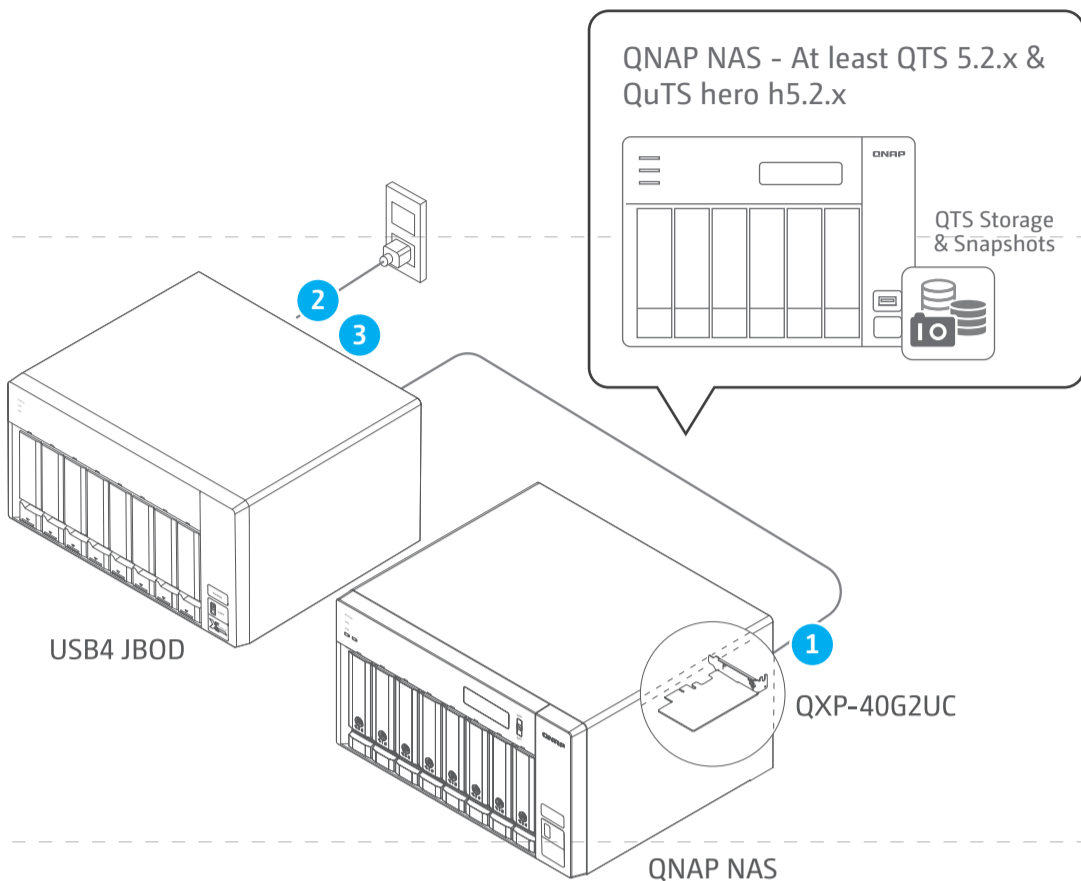
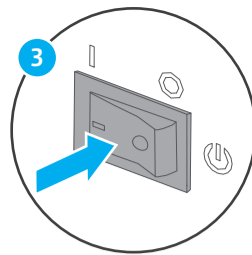
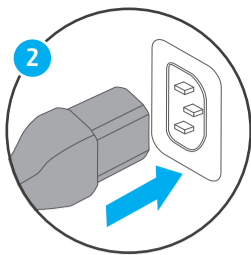
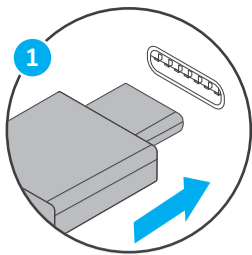


Low-profile bracket



Low-profile flat bracket





Expansion Compatibility



QXP-40G2UC Compatibility



QXP products



This QNAP device complies with Part 15 of the FCC Rules. Operation is subject to the following two conditions:

1. This device may not cause harmful interference.
2. This device must accept any interference received, including interference that may cause undesired operation.

FCC Class B Notice:

This equipment has been tested and found to comply with the limits for a Class B digital device, pursuant to Part 15 of the FCC Rules. These limits are designed to provide reasonable protection against harmful interference in a residential installation. This equipment generates, uses, and can radiate radio frequency energy and, if not installed and used in accordance with the instructions, may cause harmful interference to radio communications. However, there is no guarantee that interference will not occur in a particular installation. If this equipment does cause harmful interference to radio or television reception, which can be determined by turning the equipment off and on, the user is encouraged to try to correct the interference by one or more of the following measures:

- Reorient or relocate the receiving antenna.
- Increase the separation between the equipment and receiver.
- Connect the equipment into an outlet on a circuit different from that to which the receiver is connected.
- Consult the dealer or an experienced radio/television technician for help.

Modifications:

Any modifications made to this device that are not approved by QNAP Systems, Inc. may void the authority granted to the user by the FCC to operate this equipment.



This QNAP device complies with CE compliance Class B.

QNAP Headquarter
 TEL : +886-2-2641-2000
 FAX : +886-2-2641-0555
 Address : 3F., No.22, Zhongxing Road,
 Xizhi District, New Taipei City, 221, Taiwan



Office in EU:
 QNAP GmbH,
 Linsellesstrasse 109
 47877 Willich, Germany

Office in UK:
 QNAP Ltd, 2 Drakes Meadow,
 Swindon SN3 3LL United Kingdom

This device complies with the UKCA requirements for products sold in Great Britain.



According to the requirement of the WEEE legislation the following user information is provided to customers for all branded QNAP Electronics products subject to the WEEE directive.

This symbol on the product or on its packaging indicates that this product must not be disposed of with your other household waste. Instead, it is your responsibility to dispose of your waste equipment by handing it over to a designated collection point for the recycling of waste electrical and electronic equipment. The separate collection and recycling of your waste equipment at the time of disposal will help to conserve natural resources and ensure that it is recycled in a manner that protects human health and the environment. For more information about where you can drop off your waste equipment for recycling, please contact your local city office, your household waste disposal service or the shop where you purchased the product.



更多關於安全、法規、與環境法令遵循相關的資訊，請參閱以下網址
www.qnap.com/regulatory/



CAN ICES-003(B) / NMB-003(B)



QNAP GmbH
 Karl-Arnold-Straße 26, 47877 Willich, Germany
www.qnap.com

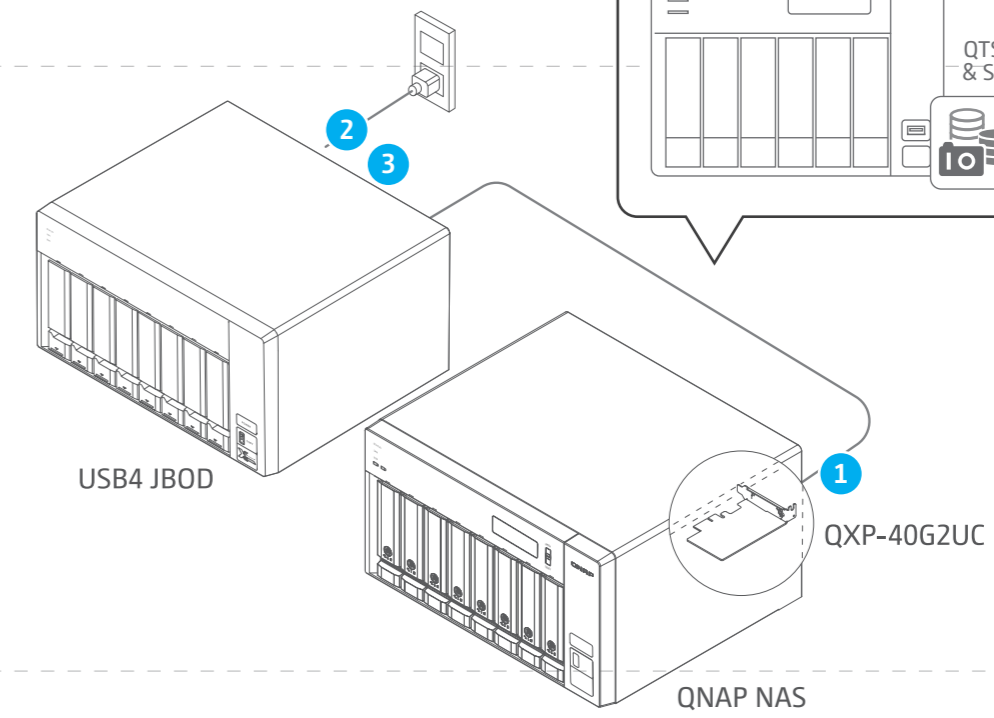
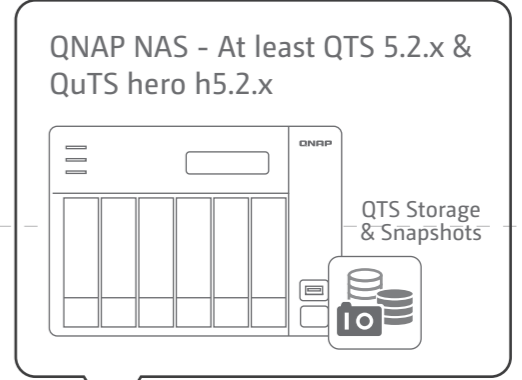
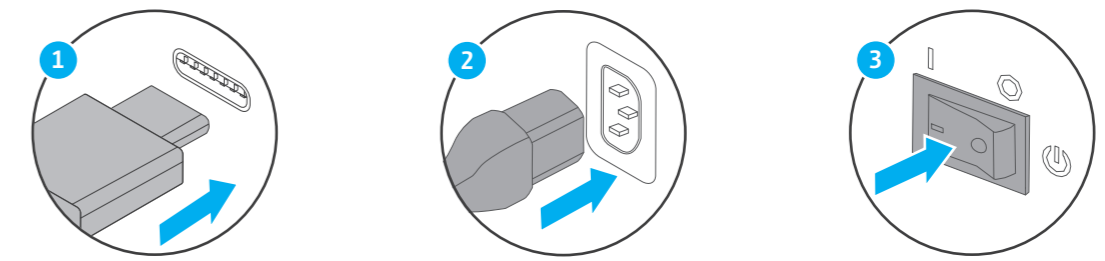
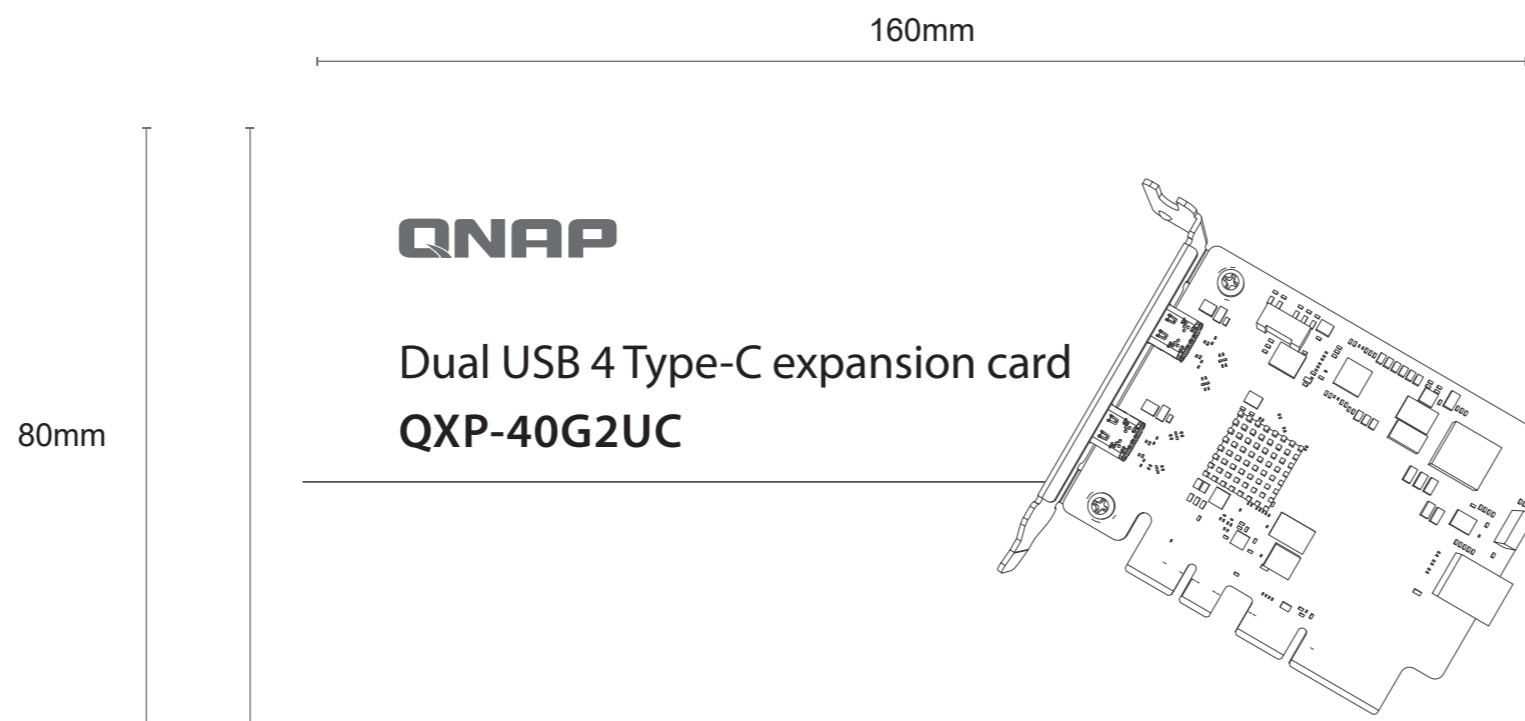


compatibility.com

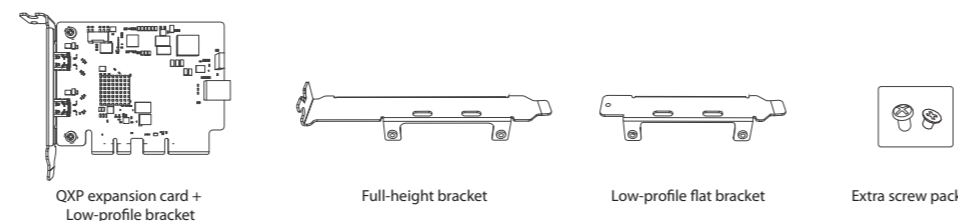
service.qnap.com

download.qnap.com

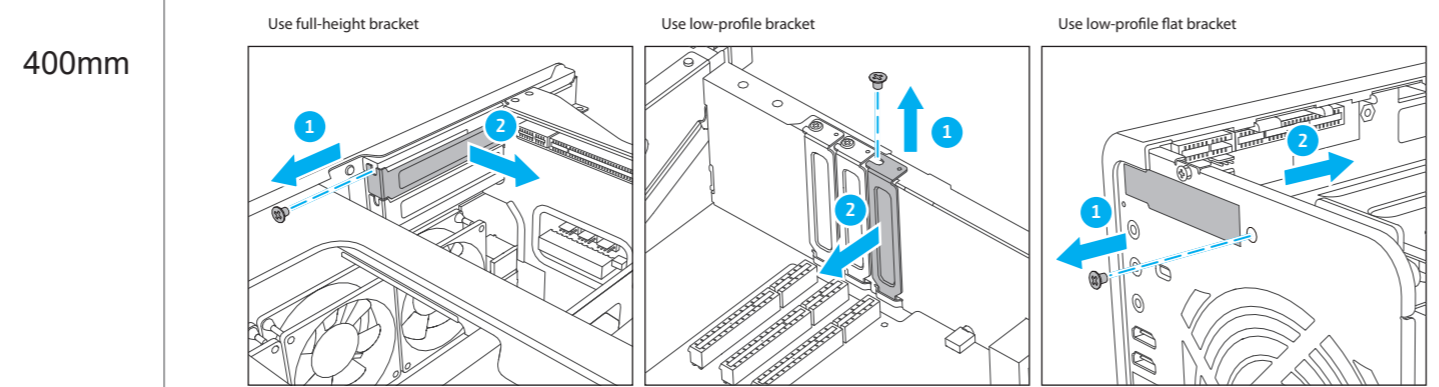
Contact QNAP



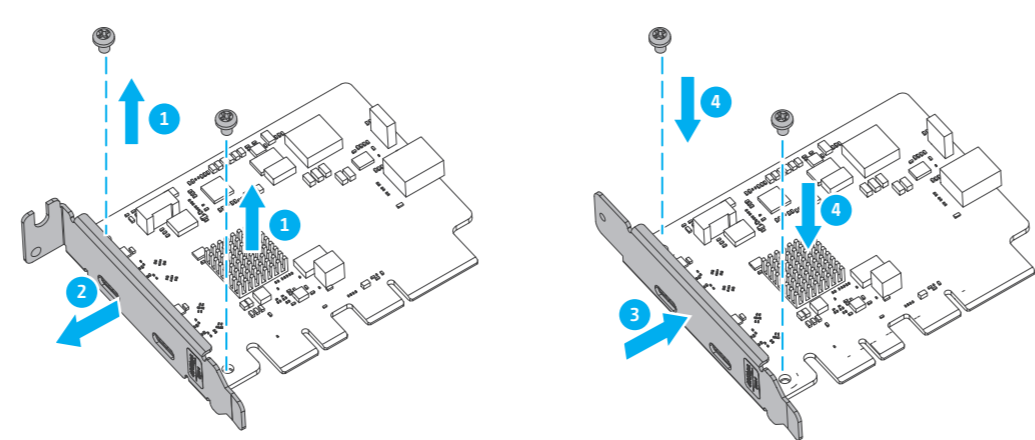
Package contents



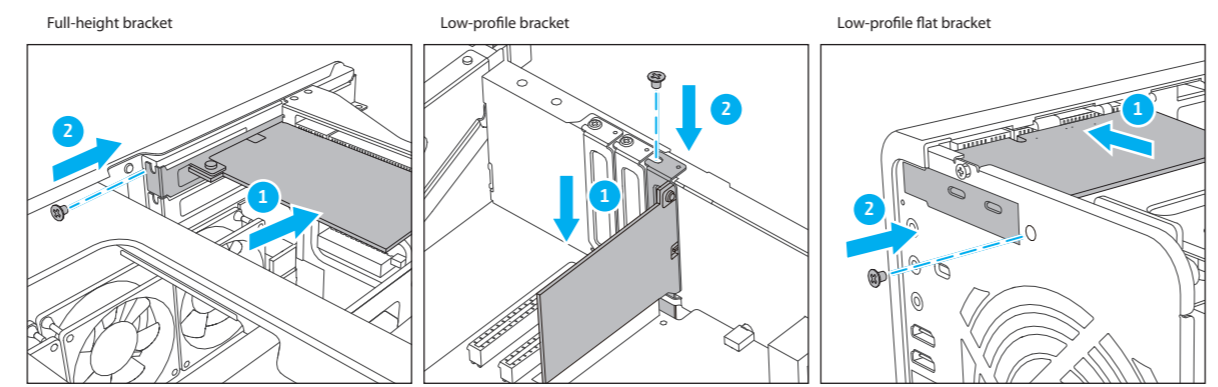
I. Remove PCIe cover Remove the PCIe cover and identify the required bracket.



II. Change the bracket



III. Install the USB Adapter in the NAS or PC



FCC This QNAP device complies with Part 15 of the FCC Rules. Operation is subject to the following two conditions:
 1. This device may not cause harmful interference.
 2. This device must accept any interference received, including interference that may cause undesired operation.

UK CA Office in EU: QNAP GmbH, LinienstraÙe 109, 47877 Willich, Germany. Office in UK: QNAP Ltd, 2 Drakes Meadow, Swindon SN3 3UL United Kingdom. This device complies with the UKCA requirements for products sold in Great Britain.

RoHS According to the requirement of the WEEE legislation the following user information is provided to customers for all branded QNAP Electronics products subject to the WEEE directive.

CE This QNAP device complies with CE compliance Class B.

EC REP QNAP GmbH, Karl-Arnold-StraÙe 26, 47877 Willich, Germany, www.qnap.com

QNAP Headquarter
 TEL : +886-2-2641-2000
 FAX : +886-2-2641-0555
 Address : 3F., No. 22, Zhongxing Road,
 Xizhi District, New Taipei City, 221, Taiwan



Copyright© 2025 QNAP Systems, Inc.

QNAP

P/N: 51000-025555-HF

QIG 說明
 料號: 51000-025555-HF
 材質: 100P COATED PAPER 雪鋼
 用色: 2色
 成型尺寸: 80(w)x160(h)mm±2mm
 廠商: 東展