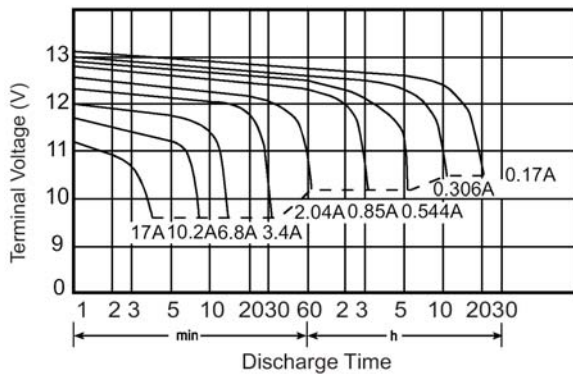


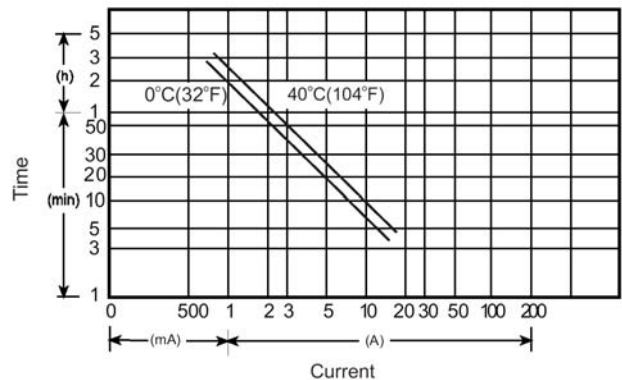
PERFORMANCE SPECIFICATION FOR BATTERY TYPE FG 20341

Nominal Voltage	12 Volts
Nominal Capacity	at 20 hour rate 25°C 3.4 Ah
	5 hour @ 0.544 A 3.0 Ah
	1 hour @ 2.04 A 2.30 Ah
	1 C @ 3 A 1.5 Ah
Dimensions (mm)	Length=134, Width=67, Height=60, TH=67
Approximate weight	1.41 Kg
Internal Resistance (Fully charged battery)	45 mΩ @ 20°C
Maximum discharge current in 5 seconds	34 A
Recommended charging voltage (@20°C)	floating use: 13,5-13,8 V cyclic use: 14.4-15.0 V
Thermal compensation factor	floating use: -18mV/°C cyclic use: -30mV/°C
Maximum charging current	0.96 A
Terminals	Faston 4.8
Torques	NA
Vibration Test	
- (2000 cycles/min, 2.55 mm excursion, 2 hrs)	No loss in capacity or performance
Shelf life - % of nominal capacity at 20°C	1 Month 97%
	3 months 91%
	6 months 83%
Storage temperature	-20°C to 40°C
Operative temperature range	Charge 0° C to 40°C
	Discharge -20°C to 50°C
Case material	Acrylonitrile-Butadiene-Styrene, according to UL-94 HB
Life expectancy (Stand-by)	5 years according to Eurobat standards

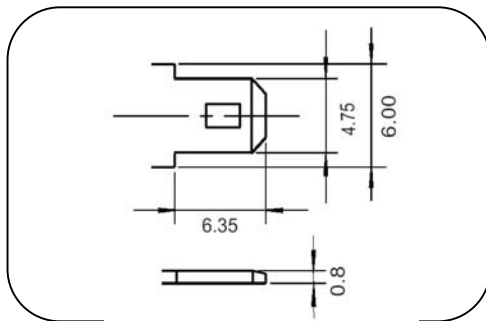
DISCHARGE CHARACTERISTICS 20°C



DISCHARGE CURRENT VERSUS TIME



TERMINAL TYPE



DIMENSIONS

