



## Model Name

## W1210ST Digital Projector

### Unique Selling Point

- \* Fast mode for ultra-low input lag
- \* 6x RGBRGB color wheel
- \* 1.2x short-throw lens
- \* CinemaMaster Audio Enhancer
- \* 10W chamber speaker x 2

### Trade Mark



<b>Projection System</b>	DLP	
<b>Native Resolution</b>	1080p (1920 x 1080)	
<b>Brightness</b>	2200 AL	
<b>FOFO Contrast Ratio</b>	15000:1	
<b>Display Color</b>	1.07 Billion Colors	
<b>Lens</b>	F = 2.6 - 2.78, f = 10.2 - 12.24 mm	
<b>Aspect Ratio</b>	Native 16:9 (5 aspect ratio selectable)	
<b>Throw Ratio</b>	0.69 - 0.83 (100" @ 1.5m)	
<b>Image Size (Clear Focus / Maximum)</b>	60"~120" / 300"	
<b>Zoom Ratio</b>	1.2:1	
<b>Lamp Type</b>	240W	
<b>Lamp Mode (Normal/Eco/SmartEco)*</b>	3500 / 5000 / 7000 hours	
<b>Keystone Adjustment</b>	Vertical ± 20 degrees	
<b>Projection Offset</b>	102.5% ± 2.5%	
<b>Lens Shift</b>	N/A	
<b>Resolution Support</b>	VGA(640 x 480) to WUXGA_RB (1920 x 1200) *RB = Reduced Blanking	
<b>Horizontal Frequency</b>	15 - 102KHz	
<b>Vertical Scan Rate</b>	23 - 120Hz	
<b>Color Wheel Segment</b>	6-Segment (RGBRGB)	
<b>Color Wheel Speed</b>	6x (50Hz), 4x (60Hz)	
<b>Compatibility</b>	HDTV Compatibility	480i, 480p, 576i, 576p, 720p, 1080i, 1080p
	Video Compatibility	NTSC, PAL, SECAM
	3D Compatibility (Please refer to User's Manual for detailed support timing.)	Frame Sequential: Up to 720p Frame Packing: Up to 1080p Side by Side: Up to 1080i/p Top Bottom: Up to 1080p
<b>Interface</b>	<b>PC (D-Sub)</b>	x 1
	<b>HDMI</b>	x 2
	<b>MHL</b>	x 1 (Share with HDMI-2)
	<b>Audio In</b>	x 1
	<b>Audio Out</b>	x 1
	<b>Chamber Speaker</b>	10W x 2
	<b>USB (Type A)</b>	x 1 (5V / 1.5A power supply)
	<b>USB (Type mini B)</b>	x 1 (Service)
	<b>RS232</b>	x 1
	<b>DC 12V Trigger</b>	x 1
<b>Physical</b>	<b>IR Receiver</b>	x 2 (Front & Top)
	<b>Dimensions (W x H x D)</b>	380.5 x 121.7 x 277 mm
	<b>Weight</b>	3.6 kg (7.93 lbs)
<b>Power</b>	<b>Power Supply</b>	AC100 to 240 V, 50 to 60 Hz
	<b>Power Consumption</b>	Normal 353W, Eco 292W, Standby <0.5W
<b>Audible Noise</b>	29/27 dBA (Normal/Economic mode)	
<b>On-Screen Display Languages</b>	Arabic/Bulgarian/ Croatian/ Czech/ Danish/ Dutch/ English/ Finnish/ French/ German/ Greek/ Hindi/ Hungarian/ Italian/ Indonesian/ Japanese/ Korean/ Norwegian/ Polish/ Portuguese/ Romanian/ Russian/ Simplified Chinese/Spanish/ Swedish/ Turkish/ Thai/ Traditional Chinese (28 Languages)	
<b>Picture Modes</b>	** ISF Disabled: Bright / Vivid / Cinema / <b>Game / Game (Bright)</b> / User / (3D)	
	*** ISF Enabled: Bright / Vivid / Cinema / Game / Game (Bright) / User / <b>ISF Night</b> / ISF Day / (3D)	
<b>Accessories</b>	<b>Standard</b>	<b>Optional</b>
	Lens Cover	Spare Lamp Kit
	Remote Control with Battery	Ceiling Mount
	Power Cord (by region)	Wireless FHD Kit
	User Manual CD	DLP 3D Glasses
	Quick Start Guide	
	Carry Bag	
	Warranty Card	
<b>Environmental Notice</b>	Lamp in this product contains mercury. To dispose of the product or used lamps, consult your local environment authorities for regulations or see <a href="http://www.lamprecycle.org">www.lamprecycle.org</a> .	

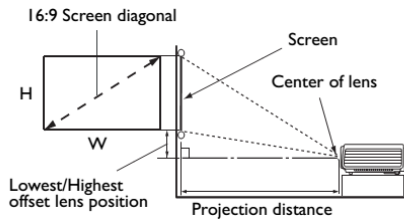
\*Lamp life results will vary depending on environmental conditions and usage. Actual product's features and specifications are subject to change without notice.

\*\* Default picture mode is **Standard**. When 3D is on, picture mode menu only show 3D. When 3D is off, 3D will also disappear.

\*\*\* When ISF is enable, default picture mode is **ISF Night**. When 3D is on, picture mode only show 3D. When 3D is off, 3D will also disappear.

# W1210ST Digital Projector

## Distance Chart

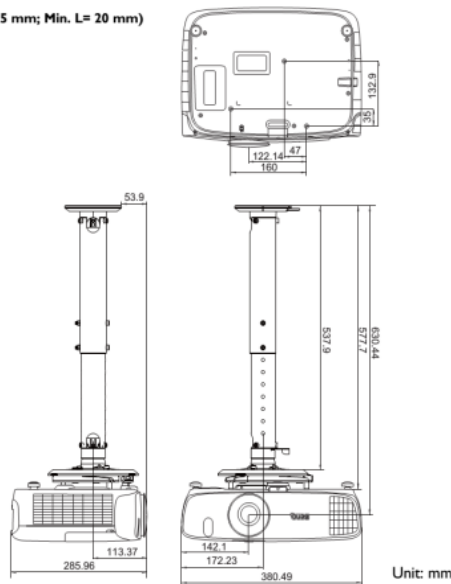


Screen size				Projection distance (mm)			Offset lens position (mm)
Diagonal		H (mm)	W (mm)	Min. distance (max. zoom)	Average	Max. distance (min. zoom)	
Inch	mm						
60	1524	747	1328	917	1009	1102	19
70	1778	872	1550	1069	1178	1286	22
80	2032	996	1771	1222	1346	1470	25
90	2286	1121	1992	1375	1514	1654	28
100	2540	1245	2214	1528	1682	1837	31
110	2794	1370	2435	1680	1851	2021	34
120	3048	1494	2657	1833	2019	2205	37
140	3556	1743	3099	2139	2355	2572	44
160	4064	1992	3542	2444	2692	2940	50
180	4572	2241	3985	2750	3028	3307	56

All measurements are approximate and may vary from the actual sizes. If you want a permanent installation of the projector, we recommend that you use the actual projector to physically test the projection size, distance, and the projector's optical characteristics prior to the installation. This helps you determine the exact mounting position which best suits your installation.

## Wall Mount / Ceiling Mount Chart

⊙ Ceiling mount screws: M4  
(Max. L = 25 mm; Min. L = 20 mm)



## Dimension



Unit: mm