

## TM-U295

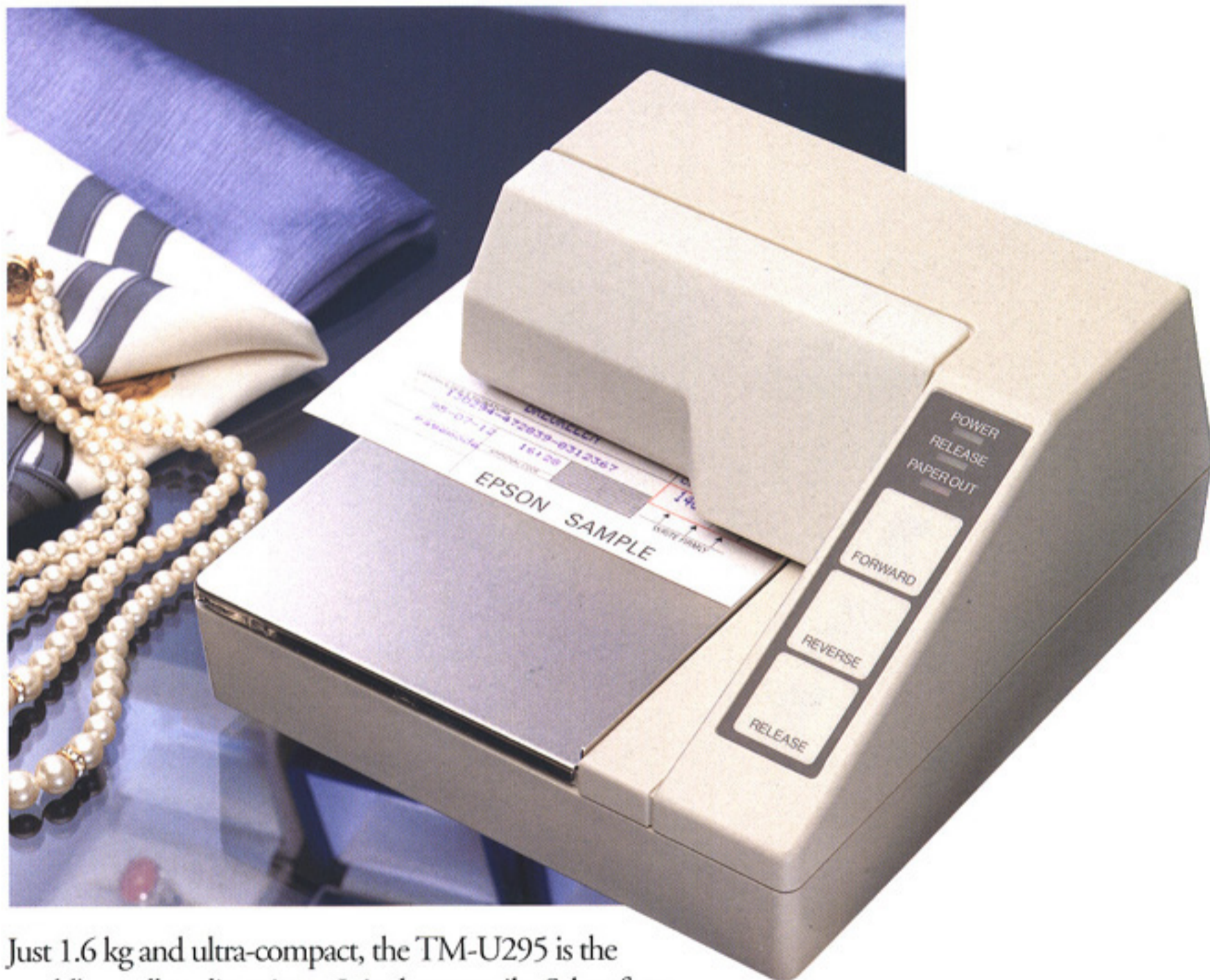
Slip Printer

ESC/POS®



Conforms to OLE POS specifications.

The world's smallest slip printer, perfect for POS terminals.



Just 1.6 kg and ultra-compact, the TM-U295 is the world's smallest slip printer. It is also versatile. Select from among four print sizes and four printing directions. Or, use page mode to tell the printer where to print on the page. The TM-U295 is also equipped with a host of user-friendly features, such as an easy-to-operate touch panel and an automatic paper eject function. And, for the widest range of applications, connect the TM-U295 to an EPSON Intelligent Module.

# Slip Printer **TM-U295**

## World's Smallest Slip Printer

Measuring a mere 180 mm (W) x 190.5 mm (D) x 101.5 mm (H) and weighing in at only 1.6 kg, the TM-U295 is the world's smallest slip printer. The small size and simple design of this printer make it a good match for any business.

## Variety of Printing Formats

With four character sizes and four printing directions, the TM-U295 flexibly adapts to your slip printing needs. Further, you can use page mode to print characters practically anywhere on the slip.

## User Friendly

Features such as an easy-to-use touch panel and automatic paper feedout maximize user friendliness. In addition, the ASB function, which automatically sends the status of the printer, enables the operator to monitor the printer status.



## Superb Reliability

EPSON's world-renowned quality and reliability are reflected in every component and mechanism of the TM-U295, ensuring products unsurpassed in performance and dependability.

## ESC/POS® Proprietary Command System

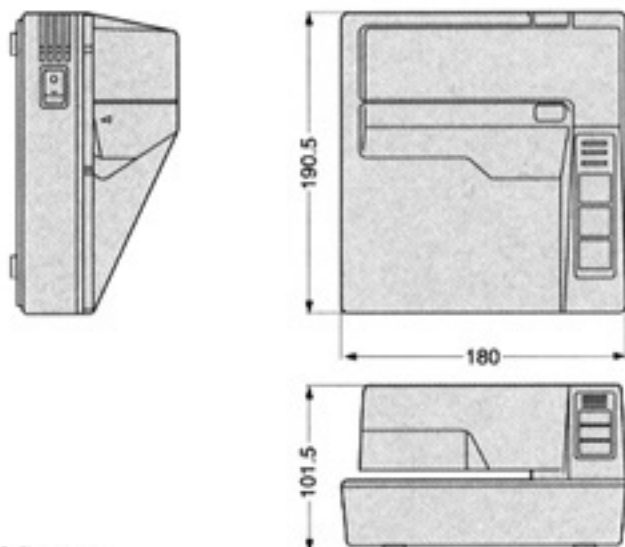
EPSON took the initiative by introducing ESC/POS, a proprietary POS printer command system including patented commands and enabling versatile POS system construction with high scalability. Compatible with all types of EPSON POS printers and displays, this proprietary control system also offers the flexibility to easily make future upgrades. Its popularity is worldwide.

### Print sample with page mode



ESC/POS is a registered trademark of SEIKO EPSON CORPORATION.  
EPSON is a member of OPOS committee.

## APPEARANCE



Units: mm

## ACCESSORY

### RIBBON CASSETTE



ERC-27(purple)

## OPTION

### POWER SUPPLY



PS-170

INPUT: 100-240V AC  
OUTPUT: 24 VDC, 2.0 A  
Plug: 3P Power jack  
Safety standards: UL, CSA, TÜV

## SPECIFICATIONS

<b>Print Method</b>	7-pin, shuttle impact dot matrix
<b>Print Font</b>	5 x 7 / 7 x 7
Column capacity	35 / 42 columns
<b>Character size</b>	1.6 (W) x 2.9 (H) / 1.3 (W) x 2.9 (H) mm
<b>Character set</b>	95 Alphanumeric 32 International 128 x 3 Graphic
<b>Characters Per Inch</b>	13.5 cpi / 16.2 cpi
<b>Print Speed</b>	2.1 lps
<b>Data Buffer</b>	512 bytes or 35 bytes
<b>Interface</b>	RS-232, Bi-directional parallel
<b>Paper Dimensions</b>	Slip: 80 (W) x 69 (L) to 182 (W) x 257 (L) mm
<b>Paper Thickness</b>	0.09 to 0.25 mm (total thickness with copy: ~0.35)
<b>Copy Capability</b>	One original and two copies
<b>Inked Ribbon</b>	ERC-27 (purple)
<b>Ribbon Life</b>	15 x 10 <sup>5</sup> characters
<b>Power</b>	24 VDC ± 10 %
<b>Power Consumption</b>	Approx. 600 mA (mean)
<b>D. K. D. Function</b>	2 drivers
<b>Reliability MTBF</b>	18 x 10 <sup>4</sup> hours
MCBF	7 x 10 <sup>5</sup> lines
<b>Overall Dimensions</b>	180 (W) x 190.5 (D) x 101.5 (H) mm
<b>Mass</b>	Approx. 1.6 kg
<b>EMC Standards</b>	VCCI class A, FCC class A, CE marking, AS / NZS 3548 class B
<b>Safety Standards</b>	UL / CSA / TÜV (EN60950)

Specifications are subject to change without notice.



This publication uses 35% recycled paper.

**SEIKO EPSON CORPORATION** Web site <http://www.epson.com>

0S16488 0104F Printed in Japan

For details, please contact: