

### Overview

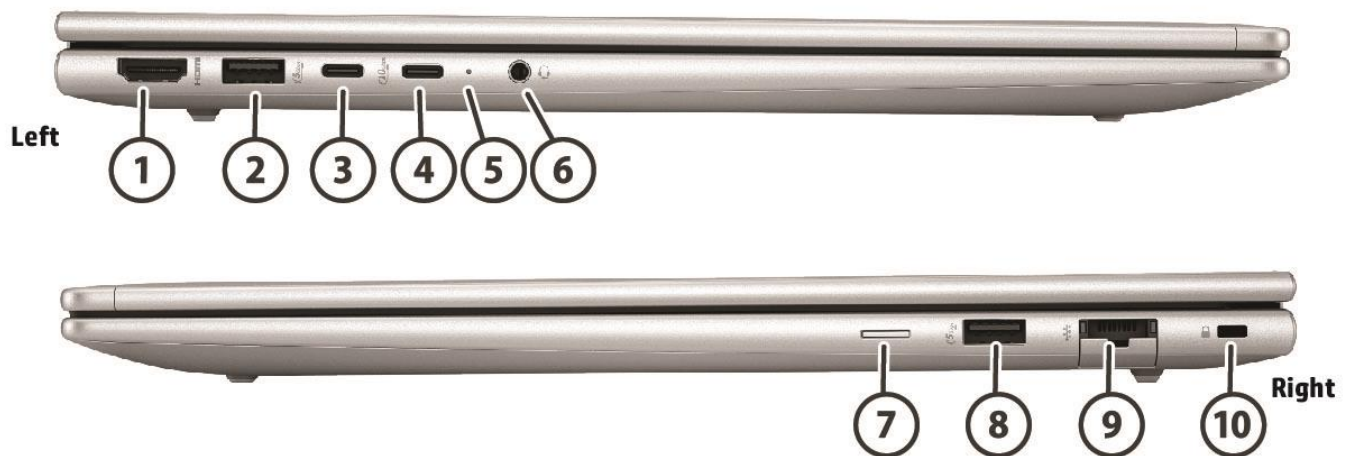
#### HP ProBook 465 16 inch G11 Notebook PC



#### Front

- |                            |                   |
|----------------------------|-------------------|
| 1. Internal Microphone (2) | 4. Camera Shutter |
| 2. Webcam LED              | 5. Touchpad       |
| 3. Webcam                  |                   |

### Overview



### Sides

1. HDMI 2.1
2. Super Speed USB Type-A 5Gbps signaling rate Power charging
3. Super Speed+ USB Type-C® 10Gbps signaling rate USB Power Delivery DisplayPort™ 1.4
4. Super Speed+ USB Type-C® 10Gbps signaling rate USB Power Delivery DisplayPort™ 1.4
5. Power Indicator LED
6. Headphone/mic combo jack
7. Nano SIM card slot (Optional)
8. Super Speed USB Type-A 5Gbps signaling rate Data only
9. RJ45 Ethernet port
10. Security lock slot (Integrated)

### Technical Specifications

#### PRODUCT NAME

HP ProBook 465 16 inch G11 Notebook PC

#### OPERATING SYSTEMS

##### Preinstalled

Windows 11 Home - HP recommends Windows 11 Pro for business  
 Windows 11 Home Single Language - HP recommends Windows 11 Pro for business  
 Windows 11 Pro <sup>1</sup>  
 Windows 11 Pro Education  
 Windows 11 Pro (Windows 11 Enterprise or Windows 10 Enterprise available with a Volume Licensing Agreement) <sup>1</sup>  
 FreeDOS

1. Not all features are available in all editions or versions of Windows. Systems may require upgraded and/or separately purchased hardware, drivers, software or BIOS update to take full advantage of Windows functionality. Windows is automatically updated and enabled. High speed internet and Microsoft account required. ISP fees may apply and additional requirements may apply over time for updates. See <http://www.windows.com>.

#### PROCESSORS

Processor <sup>2,3,4,5,6</sup>	Cores	Threads	L3 Cache	Max boost Frequency <sup>5</sup>	Base Frequency
AMD Ryzen™ 7-7735U	8 cores	16	16 MB	4.75 GHz	2.70 GHz
AMD Ryzen™ 5-7535U	6 cores	12	16 MB	4.55 GHz	2.90 GHz
AMD Ryzen™ 3-7335U	4 cores	8	8 MB	4.30 GHz	3.00 GHz

##### Processor Family

AMD Ryzen™ 7 processor  
 AMD Ryzen™ 5 processor  
 AMD Ryzen™ 3 processor

2. Multicore is designed to improve performance of certain software products. Not all customers or software applications will necessarily benefit from use of this technology. Performance and clock frequency will vary depending on application workload and your hardware and software configurations. AMD's numbering is not a measurement of clock speed.
3. Processor speed denotes maximum performance mode; processors will run at lower speeds in battery optimization mode.
4. Max Boost clock frequency performance varies depending on hardware, software and overall system configuration.
5. In accordance with Microsoft's support policy, HP does not support the Windows 8 or Windows 7 operating system on products configured with Intel and AMD 7th generation and forward processors or provide any Windows 8 or Windows 7 drivers on <http://www.support.hp.com>.
6. Features and software that require a NPU may require software purchase, subscription or enablement by a software or platform provider, and third party software may have specific configuration or compatibility requirements. Performance varies by use, configuration, and other factors.

### Technical Specifications

---

#### GRAPHICS

##### Integrated

AMD Radeon™ Graphics

##### Supports

UMA: Support HDMI 2.1 <sup>7</sup>

Hardware acceleration for CODEC H.265/HEVC (High Efficiency Video Coding) is disabled on this platform.

[7. HDMI cable sold separately.](#)

---

#### DISPLAY

##### Non-Touch

40.6 cm (16") diagonal, WQXGA (2560 x 1600), Bent, LCD, UWVA, anti-glare, LED + Low Blue Light, 400nits, sRGB 100% <sup>8,9,10</sup>

40.6 cm (16") diagonal, WUXGA (1920 x 1200), Bent, LCD, UWVA, anti-glare, WLED + Low Blue Light, 400 nits, low power, NTSC 45% <sup>8,9,10</sup>

40.6 cm (16") diagonal, WUXGA (1920 x 1200), Bent, LCD, UWVA, anti-glare, WLED, 300 nits, NTSC 45% <sup>8,9,10</sup>

##### Touch

40.6 cm (16") diagonal, WUXGA (1920 x 1200), Bent, LCD, touch, UWVA, anti-glare, WLED, 300 nits, NTSC 45% <sup>8,9,10,11</sup>

##### Display Size (Diagonal)

40.6 cm (16")

[8. HD content required to view HD images.](#)

[9. Sold separately or as an optional feature.](#)

[10. Resolutions are dependent upon monitor capability, and resolution and color depth settings.](#)

[11. Actual brightness will be lower with touchscreen](#)

---

#### DOCKING (Sold Separately)

##### Docking station model #1

HP USB-C Dock G5

##### Docking station model #2

HP Thunderbolt™ 120W G4 Dock

[For additional aftermarket options and docking specs please see page 32.](#)

---

### Technical Specifications

#### STORAGE AND DRIVES

##### Primary Storage

- 1 TB PCIe® Gen4x4 NVMe™ SSD Value <sup>12</sup>
- 512 GB PCIe® Gen4x4 NVMe™ SSD Value <sup>12</sup>
- 256 GB PCIe® Gen4x4 NVMe™ SSD Value <sup>12</sup>

##### Secondary M.2 Storage (Optional) <sup>13</sup>

- 256GB 2230 PCIe NVMe™ 2nd SSD Value <sup>12</sup>

12. For storage drives, GB = 1 billion bytes. TB = 1 trillion bytes. Actual formatted capacity is less. Up to 30 GB (for Windows 10 and 11) is reserved for system recovery software.

13. Secondary SSD slot (M.2 2230 form factor; Optional) is used for data storage only, not used for OS deployment.

#### MEMORY

##### Maximum Memory

- 32GB DDR5-4800 (2 x 16 GB) MT/s Memory <sup>14</sup>

##### Memory

- 32GB DDR5-4800 (2 x 16 GB) MT/s RAM <sup>14</sup>
- 16GB DDR5-4800 (1 x 16 GB) MT/s RAM <sup>14</sup>
- 16GB DDR5-4800 (2 x 8 GB) MT/s RAM <sup>14</sup>
- 8GB DDR5-4800 (1 x 8 GB) MT/s RAM <sup>14</sup>

##### Memory Slots

- 2 SODIMM
- System runs at 4800 MT/s
- Supports Dual Channel Memory<sup>14</sup>

14. Due to the non-industry standard nature of some third-party memory modules, we recommend HP branded memory to ensure compatibility. If you mix memory speeds, the system will perform at the lower memory speed.

### Technical Specifications

#### NETWORKING/COMMUNICATIONS

##### Ethernet

Realtek RTL8111HSH 10/100/1000 Integrated NIC <sup>15</sup>

##### WLAN

Realtek 8852CE Wi-Fi 6E Bluetooth® 5.3 WLAN <sup>16</sup>

Mediatek RZ616 Wi-Fi 6E Bluetooth® 5.3 AIM-T WLAN <sup>16</sup>

##### WWAN

HP 4000 4G LTE-Advanced Pro <sup>17</sup>

##### Miracast

Native Miracast Support <sup>18</sup>

15. The term "10/100/1000" or "Gigabit" Ethernet indicates compatibility with IEEE standard 802.3ab for Gigabit Ethernet, and does not connote actual operating speed of 1 Gb/s. For high-speed transmission, connection to a Gigabit Ethernet server and network infrastructure is required.

16. Wi-Fi 6E requires a Wi-Fi 6E router, sold separately, to function in the 6GHz band. Availability of public wireless access points limited. Wi-Fi 6E is backwards compatible with prior 802.11 specs. And available in countries where Wi-Fi 6E is supported.

17. Gigabit-class 4G LTE module is optional and must be configured at the factory. Module designed for up to 1 Gbps download speeds as carriers deploy 5 carrier aggregation and 100Mhz channel bandwidth, requires activation and separately purchased service contract. Backwards compatible to HSPA 3G technologies. Check with service provider for coverage and availability in your area. Connection, upload, and download speeds will vary due to network, location, environment, network conditions, and other factors. 4G LTE not available on all products, in all regions."

18. Miracast is a wireless technology your PC can use to project your screen to TVs, projectors, and streaming.

#### AUDIO/MULTIMEDIA

##### Audio

Audio by Poly Studio

2 Integrated stereo speakers

2 Integrated dual array microphone

##### Speaker Power

2W / 4 ohm per speaker

##### Camera

5MP+Infrared camera <sup>8,9</sup>

FHD camera <sup>8,9</sup>

##### Sensors

Hall Effect Sensor

Thermal Sensor

Fingerprint Sensor (optional)

HP Tamper Lock

### Technical Specifications

- 8. HD content required to view HD images.
- 9. Sold separately or as an optional feature.

---

## KEYBOARDS/POINTING DEVICES/BUTTONS & FUNCTION KEYS

### Keyboard

HP Standard Notebook Keyboard spill-resistant, with numeric keypad keyboard. <sup>19</sup>

HP Standard Notebook Keyboard spill-resistant, Backlit, with numeric keypad keyboard. <sup>19</sup>

### Pointing Device

Clickpad with multi-touch gesture support

Microsoft Precision Touchpad Default Gestures Support

### Function Keys

ESC - System information

F1 - Display Switching

F2 - Blank

F3 - Brightness Down

F4 - Brightness Up

F5 - Blank or Backlit Toggle

F6 - Audio Mute

F7 - Volume Down

F8 - Volume Up

F9 - Mic Mute

F10 - Play and Pause

F11 - HP Programmable Key

F12 - Print Screen

End

Insert

Delete

Power Button (with LED)"

Microsoft Copilot <sup>20</sup>

### Hidden Function Keys

Fn+R - Break, Fn+S - Sys Rq, Fn+C - Scroll Lock

19. Backlit keyboard is an optional feature.

20. Requires Windows 11 and an NPU. Timing of feature delivery and availability varies by market and device. Requires Microsoft account to log in. Where Copilot in Windows is not available, the Copilot key will lead to the Bing search engine. See <http://aka.ms/WindowsAIFeatures>

### Technical Specifications

#### SOFTWARE AND SECURITY

##### Software

Adobe Offer <sup>21</sup>  
Bing Search for IE11  
Buy Microsoft Office (Sold separately)  
HP Connection Optimizer  
HP Easy Clean<sup>22</sup>  
HP Easy Clean Keyboard Driver  
HP Hotkey Support  
HP Mac Address Manager  
HP Notifications  
HP PC Hardware Diagnostics UEFI  
HP PC Hardware Diagnostics Windows  
HP Power Manager with Battery Health Manager<sup>23</sup>  
HP Privacy Settings  
HP Services Scan <sup>24</sup>  
HP Smart Support <sup>25</sup>  
HP Support Assistant <sup>26</sup>  
HSA Fusion for Commercial  
HSA Telemetry for Commercial  
Miro Offer <sup>27</sup>  
myHP <sup>28</sup>  
Poly Lens <sup>29</sup>

##### Manageability Features

HP Client Catalog (download) <sup>30</sup>  
HP Client Management Script Library (download) <sup>31</sup>  
HP Cloud Recovery <sup>32</sup>  
HP Connect for Microsoft Endpoint Manager <sup>33</sup>  
HP Driver Packs (download) <sup>34</sup>  
HP Image Assistant (download) <sup>35</sup>  
HP Manageability Integration Kit (download) <sup>36</sup>  
HP Patch Assistant (download) <sup>37</sup>

##### Security Management

Secured-Core PC Enable <sup>38</sup>  
Windows Hello Enhanced Sign-In Security (ESS)  
**HP Wolf Security for Business which includes:**<sup>39</sup>  
HP Sure Admin <sup>40</sup>  
HP Sure Click <sup>41</sup>  
HP Sure Recover <sup>42</sup>  
HP Sure Run <sup>43</sup>  
HP Sure Sense  
HP Sure Start <sup>44</sup>  
HP Tamper Lock

##### Security- TPM

Model: Nuvoton NPCT760HABYX  
TCG TPM 2.0



### Technical Specifications

Firmware Version: 7.2.3.1  
FIPS 140-2 Compliant: Yes

Model: Infineon SLB9672VU2.0 FW15.23  
TCG TPM 2.0  
Firmware Version: 15.23  
FIPS 140-2 Compliant: Yes

#### BIOS

Absolute Persistence Module <sup>45</sup>  
BIOS Update via Network  
HP BIOSphere Gen6 <sup>46</sup>  
HP DriveLock & Automatic DriveLock  
HP Fingerprint Sensor <sup>47</sup>  
HP Secure Erase <sup>48</sup>  
HP Wake on WLAN

#### IPv6 Support

#### FirstNet Certified

Does the BIOS implement the ISO/IEC 19678:2015 (formerly NIST 800-147) guidelines?: Yes  
UEFI version: 2.7  
Class: 3

21. Click on Adobe icon in the start menu to take advantage of a 30 day trial membership of select Adobe software. The software is tied to the device and is not transferrable. You may also choose to enter your payment details to auto-renew and continue to use the software beyond the 30 day trial. See Adobe for complete details.
22. HP Easy Clean requires Windows 10 RS3 and higher and will disable the keyboard, touchscreen, and clickpad only. Ports are not disabled. See user guide for cleaning instructions.
23. HP Power Manager requires Windows 10 and higher and can be downloaded from the Microsoft Store. Depending on what version of HP Battery Health Manager (BHM) is available for your device, HP BHM may look at a number of factors to determine how to adjust battery charging over time to optimize battery health. HP BHM is preset to “Let HP Manage my Battery Charging” to allow the system to balance charging between battery health and battery duration. As Let HP Manage My Battery Charging adjusts charge capacity, the amount of run-time on battery will be reduced over time. HP may utilize BIOS updates to adjust BHM settings on select systems to optimize battery health and reduce exposure to those factors that can accelerate battery degradation. To update or change HP BHM settings and for complete details, see [https://support.hp.com/us-en/document/ish\\_4449597-3519507-16](https://support.hp.com/us-en/document/ish_4449597-3519507-16)
24. HP Services Scan is preinstalled and/or provided thru Windows Update and checks for service entitlement on each hardware device and downloads the applicable software agent automatically. To disable this feature, please follow the instructions at <http://www.hpdaas.com/requirements>. The HP Insights agent is a telemetry and analytics platform that provides critical data around devices and applications and is not sold as a standalone service. HP follows stringent GDPR privacy regulations and is ISO27001, ISO27701, ISO27017 and SOC2 Type2 certified for Information Security. Internet access with connection to the HP Insights agent is required. For full system requirements, please visit <http://www.hpdaas.com/requirements>. Not available in China.
25. HP Smart Support requires the HP agent to be installed. For more information about how to enable or to download HP Smart Support, please visit <http://www.hp.com/smart-support>. HP Services Scan is provided thru Windows Update and will check entitlement on each hardware device to determine if an HP agent-enabled service has been purchased, and will download applicable software automatically. The HP agent is a telemetry and analytics platform that provides critical data around devices and applications and is not sold as a standalone service. HP follows stringent GDPR privacy regulations and is

## Technical Specifications

ISO27001, ISO27701, ISO27017 and SOC2 Type2 certified for Information Security. Internet access is required. For full system requirements or to disable this feature, please visit <http://www.hpdaas.com/requirements>.

26. HP Support Assistant is available on Windows. For more information, please visit <http://www.support.hp.com/help/hp-support-assistant>

27. HP customers qualify for a 90 day trial of Miro, this offer ends September 2025. Complete terms and conditions are provided by Miro when accepting the offer.

28. MyHP Requires Windows 10 or higher OS.

29. Poly Lens Desktop requires a Windows OS

30. HP Client Catalog can be downloaded from <https://www.hp.com/us-en/solutions/client-management-solutions.html>

31. HP Client Management Script Library can be downloaded from <https://www.hp.com/us-en/solutions/client-management-solutions.html#tab=manageability-tools>

32. HP Cloud Recovery is available for Z by HP, HP Elite and Pro desktops and laptops PCs with Intel® or AMD processors and requires an open, network connection. **NOTE:** You must back up important files, data, photos, videos, etc. before use to avoid loss of data. Detail please refer to: <https://support.hp.com/us-en/computer>.

32. HP Cloud Recovery is available for Z by HP, HP Elite and Pro desktops and laptops PCs with Intel® or AMD processors and requires an open, network connection. **NOTE:** You must back up important files, data, photos, videos, etc. before use to avoid loss of data. Detail please refer to: <https://support.hp.com/us-en/computer>

33. HP Connect for Microsoft Endpoint Manager is available from the Azure Market Place for HP Pro, Elite, Z and Point-of-Sale PCs managed with Microsoft Endpoint Manager. Subscription to Microsoft Endpoint Manager required and sold separately. Network connection required.

34. HP Driver Packs can be downloaded from <https://www.hp.com/us-en/solutions/client-management-solutions/drivers-pack.html>

35. HP Image Assistant can be downloaded from <https://ftp.ext.hp.com/pub/caps-softpaq/cmit/HPIA.html>

36. HP Manageability Integration Kit can be downloaded from <http://www8.hp.com/us/en/ads/clientmanagement/overview.html>.

37. HP Patch Assistant available on select HP PCs with the HP Manageability Kit that are managed through Microsoft System Center Configuration Manager. HP Manageability Integration Kit can be downloaded from <http://www8.hp.com/us/en/ads/clientmanagement/overview.html>.

38. Secured-Core PC Enable requires an Intel® vPro®, AMD Ryzen™ Pro processor or Qualcomm® processor with SD850 or higher and requires 8 GB or more system memory. Secured-core PC is enabled from the factory.

39. HP Wolf Security for Business requires Windows 10 or 11 Pro or higher, includes various HP security features and is available on HP Pro, Elite, RPOS and Workstation products. See product details for included security features.

40. HP Sure Admin requires HP G8 or newer platforms, Windows 10 or higher, HP BIOS, HP Manageability Kit or KMS Service from <http://www.hp.com/go/clientmanagement> and HP Sure Admin Local Access Authenticator smartphone app from the Android or Apple store

41. HP Sure Click requires Windows 10 or 11 Pro or higher. See [https://bit.ly/2PrLT6A\\_SureClick](https://bit.ly/2PrLT6A_SureClick) for complete details.

42. HP Sure Recover is available on select HP PCs and requires Windows 10 or 11 and an open network connection. You must back up important files, data, photos, videos, etc. before using HP Sure Recover to avoid loss of data.

43. HP Sure Run is available on select HP PCs and requires Windows 10 and higher.

44. HP Sure Start is available on select HP PCs and requires Windows 10 and higher

45. Absolute firmware module is shipped turned off and can only be activated with the purchase a license subscription and full activation of the software agent. License subscriptions can be purchased for terms ranging multiple years. Service is limited, check with Absolute for availability outside the U.S. Certain conditions apply. For full details visit:

<https://www.absolute.com/about/legal/agreements/absolute/>

46. HP BIOSphere Gen6 features may vary depending on the platform and configuration.

47. HP Fingerprint Reader is an optional feature that requires Windows 10 or 11 and must be configured at purchase.

48. HP Secure Erase implements the methods outlined in the National Institute of Standards and Technology Special Publication 800-88r "Clear" sanitation method. HP Secure Erase does not support platforms with Intel® Optane™.

### Technical Specifications

#### POWER

##### Power Supply

HP Standard 65W USB Type-C® adapter <sup>49</sup>

HP Standard 65W USB Type-C® Halogen Free adapter <sup>49</sup>

HP Standard 45W USB Type-C® adapter <sup>49</sup>

##### Battery

HP Long Life 3 cell, 56Whr Polymer <sup>50,51</sup>

HP Long Life 3 cell, 48Whr Polymer <sup>52</sup>

##### Battery Recharge Time

Supports battery HP Fast Charge: approximately 50% in 30 minutes <sup>53</sup>

##### Power Cord

3-wired plug- 1.0m <sup>49</sup>

##### Battery life

Up to 13 hours with 56Whr battery (Benchmark: MobileMark25)

Processor: AMD Ryzen7-7735U

Graphic: UMA

Panel: BOE WUXGA 400nit, Low Power

Storage: WD 256GB NVMe Value SSD

Memory: Hynix DDR5 8GB \*1

WLAN: Realtek 8852CE Champagne BT Combo

WWAN: No <sup>54</sup>

49. Availability may vary by country.

50. Battery is internal and not replaceable by customer. Serviceable by warranty.

51. Actual battery Watt-hours (Wh) will vary from design capacity. Battery capacity will naturally decrease with shelf life, time, usage, environment, temperature, system configuration, loaded apps, features, power management settings and other factors.

52 Only available for selected regions and selected configurations.

53. Recharges your battery up to 50% within 30 minutes when the system is off or in standby mode. Power adapter minimum of 65 watts required for battery capacities 56Whr or less. Power adapter minimum of 100 watts required for battery capacities greater than 56Whr and less than 83Whr. Power adapter minimum of 120 watts required for battery capacities greater than 83Whr and less than 100Whr. After charging has reached 50% capacity, charging will return to normal. Charging time may vary +/-10% due to System tolerance. Upon initial startup, it is necessary to use an minimum 45 W adapter.

54. MM1825 battery life will vary depending on various factors including product model, configuration, loaded applications, features, use, wireless functionality, and power management settings. The maximum capacity of the battery will naturally decrease with time and usage. See [www.bapco.com](http://www.bapco.com) for additional details.

### Technical Specifications

#### WEIGHTS & DIMENSIONS

##### Product Weight

Starting at 1.748 kg ( 3.85 lb) with 56 Whr battery  
Weight will vary by configuration. Does not include power adapter.

##### Product Dimensions (w x d x h)

359.4 mm (W) x 251.0 mm (D) x 10.9 mm (front) / 17.01 mm (rear)  
14.15 in x 9.88 in x 0.43 in (front) / 0.67 in (rear)

##### Pallet Dimensions (w x d x h)

16" to 17" boxes (345mm height): 1200mm x 1000mm x 1200mm <sup>55</sup>

55. Product packaging size varies based on options chosen. Please contact your HP representative for your packaging size details. For detailed packaging information, access the [HP Commercial Notebooks Packaging Guide](#).

#### PORTS/SLOTS

##### Left side

- 1 HDMI 2.1 <sup>56</sup>
- 1 Super Speed USB Type-A 5Gbps signaling rate Power charging
- 2 Super Speed+ USB Type-C® 10Gbps signaling rate USB Power Delivery DisplayPort™ 1.4
- 1 Headphone/mic combo jack

##### Right side

- 1 Security lock slot (Integrated)
- 1 RJ45 Ethernet port
- 1 Super Speed USB Type-A 5Gbps signaling rate Data only
- 1 Nano SIM card slot (Optional)

56. HDMI cable sold separately.

### Technical Specifications

#### ENVIRONMENTAL DATA

<b>Eco-Label Certifications &amp; declarations</b>	<p>This product has received or is in the process of being certified to the following approvals and may be labeled with one or more of these marks:</p> <ul style="list-style-type: none"> <li>IT ECO declaration</li> <li>US ENERGY STAR®</li> <li>US Federal Energy Management Program (FEMP)</li> <li>EPEAT® Gold registered in the United States. See <a href="http://www.epeat.net">http://www.epeat.net</a> for registration status in your country.</li> <li>TCO Certified</li> <li>China Energy Conservation Program (CECP)</li> <li>China State Environmental Protection Administration (SEPA)</li> <li>Taiwan Green Mark</li> <li>Korea Eco-label</li> <li>Japan PC Green label*</li> </ul>		
<b>Sustainable Impact Specifications</b>	<ul style="list-style-type: none"> <li><a href="#">Product Carbon Footprint</a></li> <li>Ocean-bound plastic in Fan and Speaker</li> <li>25% post-consumer recycled plastic</li> <li>50% recycled metal</li> <li>Low halogen</li> <li>Outside Box and corrugated cushions are 100% sustainably sourced and recyclable</li> <li>Molded Paper Pulp Cushion inside box is 100% sustainably sourced and recyclable.</li> <li>Bulk packaging available</li> </ul>		
<b>System Configuration</b>	<p>The configuration used for the Energy Consumption and Declared Noise Emissions data for the Notebook model is based on a “Typically Configured Notebook”.</p>		
<b>Energy Consumption (in accordance with US ENERGY STAR® test method)</b>	<b>115VAC, 60Hz</b>	<b>230VAC, 50Hz</b>	<b>100VAC, 50Hz</b>
Normal Operation (Sort idle)	5.29 W	5.53 W	5.26 W
Sleep	1.45 W	1.51 W	1.5 W
Off	0.38 W	0.42 W	0.39 W
<p><b>NOTE:</b> Energy efficiency data listed is for an ENERGY STAR® compliant product if offered within the model family. HP computers marked with the ENERGY STAR® Logo are compliant with the applicable U.S. Environmental Protection Agency (EPA) ENERGY STAR® specifications for computers. If a model family does not offer ENERGY STAR® compliant configurations, then energy efficiency data listed is for a typically configured PC featuring a hard disk drive, a high efficiency power supply, and a Microsoft Windows® operating system.</p>			
<b>Heat Dissipation*</b>	<b>115VAC, 60Hz</b>	<b>230VAC, 50Hz</b>	<b>100VAC, 50Hz</b>
Normal Operation (Short idle)	17.72 BTU/hr	18.12 BTU/hr	17.64 BTU/hr
Sleep	4.39 BTU/hr	4.39 BTU/hr	4.43 BTU/hr
Off	1.43 BTU/hr	1.60 BTU/hr	1.47 BTU/hr
<p><b>*NOTE:</b> Heat dissipation is calculated based on the measured watts, assuming the service level is attained for one hour.</p>			
<b>Declared Noise Emissions (in accordance with ISO 7779 and ISO 9296)</b>	<b>Sound Power (L<sub>WAd</sub>, bels)</b>		<b>Sound Pressure (L<sub>pAm</sub>, decibels)</b>
Typically Configured – Idle	2.8		19.1
Fixed Disk – Random writes	3.7		28.3
Optical Drive – Sequential reads	3.2		24.7
<b>Longevity and Upgrading</b>	<p>This product can be upgraded, possibly extending its useful life by several years. Upgradeable features and/or components contained in the</p>		



### Technical Specifications

	Spare parts are available throughout the warranty period and or for up to “5” years after the end of production.		
<b>Additional Information</b>	<ul style="list-style-type: none"> <li>This product is in compliance with the Restrictions of Hazardous Substances (RoHS) directive - 2011/65/EC.</li> <li>This HP product is designed to comply with the Waste Electrical and Electronic Equipment (WEEE) Directive – 2002/96/EC.</li> <li>This product is in compliance with California Proposition 65 (State of California; Safe Drinking Water and Toxic Enforcement Act of 1986).</li> <li>This product is in compliance with the IEEE 1680 (EPEAT) standard at the Gold level, see <a href="http://www.epeat.net">www.epeat.net</a></li> <li>Plastics parts weighing over 25 grams used in the product are marked per ISO11469 and ISO1043.</li> <li>This product is 94.7% recycle-able when properly disposed of at end of life.</li> </ul>		
<b>Packaging Materials</b>	<b>External:</b>	PAPER/Corrugated	295 g
		PAPER/Molded Pulp	150 g
	<b>Internal:</b>	PLASTIC/Polyethylene low density - LDPE	10 g
	The plastic packaging material contains at least 0.0% recycled content.		
	The corrugated paper packaging materials contains at least 55.6% recycled content.		
<b>RoHS Compliance</b>	<p>HP Inc. complies fully with materials regulations. We were among the first companies to extend the restrictions in the European Union (EU) Restriction of Hazardous Substances (RoHS) Directive to our products worldwide through the HP GSE. HP has contributed to the development of related legislation in Europe, as well as China, India, and Vietnam.</p> <p>We believe the RoHS directive and similar laws play an important role in promoting industry-wide elimination of substances of concern. We have supported the inclusion of additional substances—including PVC, BFRs, and certain phthalates—in future RoHS legislation that pertains to electrical and electronics products.</p> <p>We met our voluntary objective to achieve worldwide compliance with the new EU RoHS requirements for virtually all relevant products by July 2013, and we will continue to extend the scope of the commitment to include further restricted substances as regulations continue to evolve.</p> <p>To obtain a copy of the HP RoHS Compliance Statement, see <a href="#">HP RoHS position statement</a>.</p>		
<b>Material Usage</b>	<p>This product does not contain any of the following substances in excess of regulatory limits (refer to the HP General Specification for the Environment at <a href="https://h20195.www2.hp.com/v2/GetDocument.aspx?docname=c05998906">https://h20195.www2.hp.com/v2/GetDocument.aspx?docname=c05998906</a>):</p> <ul style="list-style-type: none"> <li>Asbestos</li> <li>Certain Azo Colorants</li> <li>Certain Brominated Flame Retardants – may not be used as flame retardants in plastics</li> <li>Cadmium</li> <li>Chlorinated Hydrocarbons</li> <li>Chlorinated Paraffins</li> <li>Bis(2-Ethylhexyl) phthalate (DEHP)</li> <li>Benzyl butyl phthalate (BBP)</li> <li>Dibutyl phthalate (DBP)</li> <li>Diisobutyl phthalate (DIBP)</li> <li>Formaldehyde</li> </ul>		

### Technical Specifications

	<ul style="list-style-type: none"> <li>• Halogenated Diphenyl Methanes</li> <li>• Lead carbonates and sulfates</li> <li>• Lead and Lead compounds</li> <li>• Mercuric Oxide Batteries</li> <li>• Nickel – finishes must not be used on the external surface designed to be frequently handled or carried by the user.</li> <li>• Ozone Depleting Substances</li> <li>• Polybrominated Biphenyls (PBBs)</li> <li>• Polybrominated Biphenyl Ethers (PBBEs)</li> <li>• Polybrominated Biphenyl Oxides (PBBOs)</li> <li>• Polychlorinated Biphenyl (PCB)</li> <li>• Polychlorinated Terphenyls (PCT)</li> <li>• Polyvinyl Chloride (PVC) – except for wires and cables, and certain retail packaging has been voluntarily removed from most applications.</li> <li>• Radioactive Substances</li> <li>• Tributyl Tin (TBT), Triphenyl Tin (TPT), Tributyl Tin Oxide (TBTO)</li> </ul>
<b>Packaging Usage</b>	<p>HP follows these guidelines to decrease the environmental impact of product packaging:</p> <ul style="list-style-type: none"> <li>• Eliminate the use of heavy metals such as lead, chromium, mercury and cadmium in packaging materials.</li> <li>• Eliminate the use of ozone-depleting substances (ODS) in packaging materials.</li> <li>• Design packaging materials for ease of disassembly.</li> <li>• Maximize the use of post-consumer recycled content materials in packaging materials.</li> <li>• Use readily recyclable packaging materials such as paper and corrugated materials.</li> <li>• Reduce size and weight of packages to improve transportation fuel efficiency.</li> <li>• Plastic packaging materials are marked according to ISO 11469 and DIN 6120 standards.</li> </ul>
<b>End-of-life Management and Recycling</b>	<p>HP offers end-of-life HP product return and recycling programs in many geographic areas. To recycle your product, please go to: <a href="https://h20195.www2.hp.com/V2/GetDocument.aspx?docname=c05403198">https://h20195.www2.hp.com/V2/GetDocument.aspx?docname=c05403198</a> or contact your nearest HP sales office. Products returned to HP will be recycled, recovered or disposed of in a responsible manner.</p> <p>The EU WEEE directive (2002/95/EC) requires manufacturers to provide treatment information for each product type for use by treatment facilities. This information (product disassembly instructions) is posted on the Hewlett Packard web site at: <a href="#">HP Product Disassembly Instruction Website</a>. These instructions may be used by recyclers and other WEEE treatment facilities as well as HP OEM customers who integrate and re-sell HP equipment.</p>
<b>HP, Inc. Corporate Environmental Information</b>	<p>For more information about HP's commitment to the environment:</p> <p>Sustainable Impact Report  <a href="https://h20195.www2.hp.com/v2/GetDocument.aspx?docname=c06040843">https://h20195.www2.hp.com/v2/GetDocument.aspx?docname=c06040843</a></p> <p>Eco-label certifications  <a href="https://www.hp.com/us-en/sustainable-impact/document-reports.html#filters_documents_reports==document_type-type_energy_star,type_epeat,type_tcoISO">https://www.hp.com/us-en/sustainable-impact/document-reports.html#filters_documents_reports==document_type-type_energy_star,type_epeat,type_tcoISO</a></p> <p>ISO 14001 certificates:  <a href="https://h20195.www2.hp.com/v2/GetDocument.aspx?docname=c04777932">https://h20195.www2.hp.com/v2/GetDocument.aspx?docname=c04777932</a></p>

### Technical Specifications

<b>footnotes</b>	<ul style="list-style-type: none"><li>• Percentage of ocean-bound plastic contained in each component varies by product</li><li>• Recycled plastic content percentage is based on the definition set in the IEEE 1680.1-2018 standard.</li><li>• External power supplies, WWAN modules, power cords, cables and peripherals excluded.</li><li>• 100% outer box packaging and corrugated cushions made from sustainably sourced certified and recycled fibers.</li><li>• Fiber cushions made from 100% recycled wood fiber and organic materials.</li><li>• Disclaimer: recycled metal is expressed as a percentage of the total weight of the metal according to ISO 14021 definitions for metal parts over 25 grams.</li></ul>
------------------	---



### Technical Specifications

#### SERVICE AND SUPPORT

1-year warranty and 90 day software limited warranty options depending on country. Batteries have a default one year limited warranty. Refer to <http://www.hp.com/support/batterywarranty/> for additional battery information. On-site service and extended coverage is also available. HP Care Pack Services are optional extended service contracts that go beyond the standard limited warranties. To choose the right level of service for your HP product, use the HP Care Pack Services Lookup Tool at: <http://www.hp.com/go/cpc>.<sup>57</sup>

57. HP Care Packs are sold separately. Service levels and response times for HP Care Packs may vary depending on your geographic location. Service starts on date of hardware purchase. Restrictions and limitations apply. For details, visit <http://www.hp.com/go/cpc>. HP services are governed by the applicable HP terms and conditions of service provided or indicated to Customer at the time of purchase. Customer may have additional statutory rights according to applicable local laws, and such rights are not in any way affected by the HP terms and conditions of service or the HP Limited Warranty provided with your HP Product.

---

### Technical Specifications

#### SYSTEM UNIT

##### Stand-Alone Power Requirements

###### (AC Power)

Nominal Operating Voltage	20.0V
Max Operating Power	UMA 65W

###### Temperature

Operating	Operating: 0° to 35° C (32° to 95° F) No sustained direct exposure to sunlight, System performance may be reduced above 32°C (89.6°F)
Non-operating	Non-operating: -20° to 60° C (-4° to 140° F) No sustained direct exposure to sunlight, System performance may be reduced above 32°C (89.6°F)

###### Relative Humidity

Operating	10% to 90%, non-condensing
Non-operating	5% to 95%, 101.6° F (101.6° F) maximum wet bulb temperature

###### Shock

Operating	40 G, 2 ms, half-sine
Non-operating	240 G, 2 ms, half-sine

###### Random Vibration

Operating	1.043 grams
Non-operating	3.500 grams

###### Altitude (unpressurized)

Operating	3048 m (10000 ft)
Non-operating	12192 m (40000 ft)

###### Planned Industry Standard

###### Certifications

Regulatory Model Number	HSN-Q39C-6
CSA/UL 62368-1	Yes
ENERGY STAR®	Yes <sup>58</sup>
EPEAT®	EPEAT® Gold in the United States <sup>59</sup>
FCC/ICES/CISPR/VCCI	Yes
CE MARKING	Yes
GS Mark	Yes
	Related commodity should comply with ISO 9241 Standards.
China CCC/SRRC	Yes
Taiwan BSMI/NCC	Yes
Korea KCC/KC/KES	Yes
Ukraine NSoC/TEC	Yes
EAEU Compliance	Yes
Saudi Arabian Compliance	Yes
TCO	Yes
WW RoHS	Yes
Low Blue Light	Yes
MIL-STD 810H Testing	Yes <sup>60</sup>

58. Configurations of the HP ProBook 465 16 inch G11 Notebook PC that are ENERGY STAR® qualified are identified as HP ProBook 465 16 inch G11 Notebook PC ENERGY STAR on HP websites and on <http://www.energystar.gov>.

59. Based on US EPEAT® registration according to IEEE 1680.1-2018 EPEAT®. EPEAT® status varies by country. Visit <http://www.epeat.net> for more information.

### Technical Specifications

60. MIL STD 810H testing is not intended to demonstrate fitness for U.S. Department of Defense contract requirements or for military use. Test results are not a guarantee of future performance under these test conditions. Accidental damage requires an optional HP Accidental Damage Protection Care Pack.

#### DISPLAYS

1. Actual brightness will be lower with touchscreen or HP Sure View.

**NOTE:** All specifications represent the typical specifications provided by HP's component manufacturers; actual performance may vary either higher or lower.

<b>16.0 in WUXGA (1920 x 1200) Anti-Glare UWVA WLED+LBL sRGB NB2Y 400 eDP 1.4+PSR2 Low-Power 100 bent LCD Panel</b>	<b>Outline Dimensions (W x H x D)</b>	350.680 x 226.470 (max)
	<b>Active Area</b>	344.678 x 215.424 (typ)
	<b>Weight</b>	330 (max)
	<b>Diagonal Size</b>	16
	<b>Surface Treatment</b>	Anti-Glare
	<b>Touch Enabled</b>	No
	<b>Contrast Ratio</b>	1000:1 (typ)
	<b>Refresh Rate</b>	60 Hz
	<b>Brightness</b>	400 nits <sup>1</sup>
	<b>Pixel Resolution - Format</b>	1920 x 1200 (WUXGA)
	<b>Backlight</b>	WLED
	<b>Pixel Resolution</b>	RGB
	<b>Color Gamut Coverage</b>	sRGB 100%
	<b>Color Depth</b>	8
	<b>Viewing Angle</b>	UWVA 89/89/89/89
	<b>Low Blue Light</b>	Yes
<b>Power Consumption (W, EBL@ 150nits max/ 200nits max)</b>	1.60 (max) / 1.95 (max)	

<b>16.0 in WUXGA (1920 x 1200) Anti-Glare UWVA LED NTSC 45 NB2X 300 eDP 1.2 w/o PSR bent LCD Panel</b>	<b>Outline Dimensions (W x H)</b>	350.680 x 226.470 (max)
	<b>Active Area</b>	344.6784x215.424 (typ)
	<b>Weight</b>	390 (max)
	<b>Diagonal Size</b>	16
	<b>Surface Treatment</b>	Anti-Glare
	<b>Touch Enabled</b>	No
	<b>Contrast Ratio</b>	1000:1(typ)
	<b>Refresh Rate</b>	60 Hz
	<b>Brightness</b>	300 nits <sup>1</sup>
	<b>Pixel Resolution - Format</b>	1920 x 1280 (WUXGA)
	<b>Backlight</b>	WLED
	<b>Pixel Resolution</b>	RGB
	<b>Color Gamut Coverage</b>	NTSC 45%

### Technical Specifications

<b>Color Depth</b>	6 bits + 2FRC
<b>Viewing Angle</b>	UWVA 89/89/89/89
<b>Low Blue Light</b>	No
<b>Power Consumption (W, EBL@ 150nits max/ 200nits max)</b>	2.7 (max) /3.4 (max)

<b>16.0 in WUXGA (1920 x 1200) Anti-Glare UWVA LED NTSC 45 NB2X 300 TOP eDP 1.2 w/o PSR bent LCD Panel</b>	<b>Outline Dimensions (W x H)</b>	350.680 x 226.470 (max)
	<b>Active Area</b>	344.6784x215.424 (typ)
	<b>Weight</b>	390 (max)
	<b>Diagonal Size</b>	16
	<b>Surface Treatment</b>	Anti-Glare
	<b>Touch Enabled</b>	Yes
	<b>Contrast Ratio</b>	1000:1(typ)
	<b>Refresh Rate</b>	60 Hz
	<b>Brightness</b>	300 nits <sup>1</sup>
	<b>Pixel Resolution - Format</b>	1920 x 1280 (WUXGA)
	<b>Backlight</b>	WLED
	<b>Pixel Resolution</b>	RGB
	<b>Color Gamut Coverage</b>	NTSC 45%
	<b>Color Depth</b>	6 bits + 2FRC
	<b>Viewing Angle</b>	UWVA 89/89/89/89
	<b>Low Blue Light</b>	No
<b>Power Consumption (W, EBL@ 150nits max/ 200nits max)</b>	2.7 (max) /3.24 (max)	

<b>16.0 in WQXGA (2560 x 1600) Anti-Glare UWVA Low Blue Light sRGB 100 400 eDP 1.4+PSR2 120Hz (VRR) bent LCD Panel</b>	<b>Outline Dimensions (W x H)</b>	349.978 x 224.824 (max)
	<b>Active Area</b>	344.678 x 215.424 (typ)
	<b>Weight</b>	320 (max)
	<b>Diagonal Size</b>	16
	<b>Surface Treatment</b>	Anti-Glare
	<b>Touch Enabled</b>	No
	<b>Contrast Ratio</b>	1200:1(typ)
	<b>Refresh Rate</b>	120 Hz
	<b>Brightness</b>	400 nits <sup>1</sup>
	<b>Pixel Resolution - Format</b>	2560 x 1600(WQXGA)
	<b>Backlight</b>	WLED
	<b>Pixel Resolution</b>	RGB
	<b>Color Gamut Coverage</b>	sRGB 100%
	<b>Color Depth</b>	8 bits

### Technical Specifications

<b>Viewing Angle</b>	UWVA 85/85/85/85
<b>Low Blue Light</b>	Yes
<b>Power Consumption (W, EBL@ 150nits max/ 200nits max)</b>	2.9 (max) /3.3 (max)

### STORAGE AND DRIVES

For storage drives, GB = 1 billion bytes. TB = 1 trillion bytes. Actual formatted capacity is less. Up to 30 GB (for Windows 10 and 11) is reserved for system recovery software.

<b>SSD 256GB 2280 PCIe NVMe Value</b>	<b>Form Factor</b>	M.2 2280
	<b>Capacity</b>	256 GB
	<b>NAND Type</b>	TLC
	<b>Interface</b>	PCIe NVMe Gen4X4
	<b>Maximum Sequential Read</b>	2000 MB/s ±20%
	<b>Maximum Sequential Write</b>	900 MB/s ±20%
	<b>Logical Blocks</b>	500,118,192
<b>Features</b>	Pyrite 2.0; TRIM; L1.2	

<b>SSD 512GB 2280 PCIe NVMe Value</b>	<b>Form Factor</b>	M.2 2280
	<b>Capacity</b>	512 GB
	<b>NAND Type</b>	TLC
	<b>Interface</b>	PCIe NVMe Gen4X4
	<b>Maximum Sequential Read</b>	2200 MB/s ±20%
	<b>Maximum Sequential Write</b>	1000 MB/s ±20%
	<b>Logical Blocks</b>	1,000,215,215
<b>Features</b>	Pyrite 2.0; TRIM; L1.2	

<b>SSD 1TB 2280 PCIe NVMe Value</b>	<b>Form Factor</b>	M.2 2280
	<b>Capacity</b>	1TB
	<b>NAND Type</b>	TLC
	<b>Interface</b>	PCIe NVMe Gen4X4
	<b>Maximum Sequential Read</b>	2200 MB/s ±20%
	<b>Maximum Sequential Write</b>	1600 MB/s ±20%
	<b>Logical Blocks</b>	2,000,409,264
<b>Features</b>	Pyrite 2.0; TRIM; L1.2	

<b>SSD 256GB 2230 PCIe NVMe Value</b>	<b>Form Factor</b>	M.2 2230
	<b>Capacity</b>	256 GB
	<b>NAND Type</b>	TLC
	<b>Interface</b>	PCIe NVMe Gen4X4

### Technical Specifications

<b>Maximum Sequential Read</b>	2000 MB/s ±20%
<b>Maximum Sequential Write</b>	900 MB/s ±20%
<b>Logical Blocks</b>	500,118,192
<b>Features</b>	Pyrite 2.0; TRIM; L1.2

### NETWORKING/COMMUNICATIONS

<b>Realtek RTL8852CE 802.11ax 2x2 Wi-Fi 6E Bluetooth®5.3 Wireless Card (802.11ax 2x2, supporting gigabit data rate)<sup>1</sup></b>	<b>Wireless LAN Standards</b>	IEEE 802.11a IEEE 802.11ac IEEE 802.11ax IEEE 802.11b IEEE 802.11d IEEE 802.11e IEEE 802.11g IEEE 802.11h IEEE 802.11i IEEE 802.11k IEEE 802.11n
	<b>Interoperability</b>	Wi-Fi certified
	<b>Frequency Band</b>	<ul style="list-style-type: none"> <li>• 802.11b/g/n/ax 2.402 – 2.482 GHz</li> <li>• 802.11a/n/ac/ax 5.15 – 5.25 GHz 5.25 – 5.35 GHz 5.47 – 5.725 GHz 5.825 – 5.850 GHz 5.955 – 6.415 GHz 6.435 – 6.515 GHz 6.535 – 6.875 GHz 6.895 – 7.115 GHz</li> </ul>
	<b>Data Rates</b>	<ul style="list-style-type: none"> <li>• 802.11a: 6, 9, 12, 18, 24, 36, 48, 54 Mbps</li> <li>• 802.11ac : MCS0 ~ MCS9, (20MHz, 40MHz, 80MHz, 160MHz)</li> <li>• 802.11ax : MCS0 ~ MCS11, (20MHz, 40MHz, 80MHz, 160MHz)</li> <li>• 802.11b: 1, 2, 5.5, 11 Mbps</li> <li>• 802.11g: 6, 9, 12, 18, 24, 36, 48, 54 Mbps</li> <li>• 802.11n: MCS 0 ~ MCS 15, (20MHz, 40MHz)</li> </ul>
	<b>Modulation</b>	Direct Sequence Spread Spectrum 1024QAM, 16-QAM, 256-QAM, 64-QAM, BPSK, CCK, Direct Sequence Spread Spectrum, OFDM, QPSK
	<b>Security<sup>2</sup></b>	<ul style="list-style-type: none"> <li>• 802.1x authentication</li> <li>• AES-CCMP: 128 bit in hardware</li> <li>• IEEE 802.11i</li> <li>• IEEE and WiFi certified 64 / 128 bit WEP encryption for a/b/g mode only</li> <li>• WAPI</li> <li>• WPA, WPA2: 802.1x. WPA-PSK, WPA2-PSK, TKIP, and AES.</li> <li>• WPA2 certification</li> <li>• WPA3 (personal) certification</li> </ul>

### Technical Specifications

<b>Network Architecture Models</b>	Ad-hoc (Peer to Peer) Infrastructure (Access Point Required)
<b>Roaming</b>	IEEE 802.11 compliant roaming between access points
<b>Output Power<sup>3</sup></b>	<ul style="list-style-type: none"> <li>• 802.11b : +17dBm minimum</li> <li>• 802.11g : +16dBm minimum</li> <li>• 802.11a : +17dBm minimum</li> <li>• 802.11n HT20(2.4GHz) : +14dBm minimum</li> <li>• 802.11n HT40(2.4GHz) : +13dBm minimum</li> <li>• 802.11n HT20(5GHz) : +14dBm minimum</li> <li>• 802.11n HT40(5GHz) : +13dBm minimum</li> <li>• 802.11ac VHT80(5GHz) : +10dBm minimum</li> <li>• 802.11ac VHT160(5GHz) : +10dBm minimum</li> <li>• 802.11ax HE40(2.4GHz) : +12dBm minimum</li> <li>• 802.11ax HE80(5GHz) : +10dBm minimum</li> <li>• 802.11ax HE160(5GHz) : +10dBm minimum</li> <li>• 802.11ax HE80(6GHz) : +10dBm minimum</li> <li>• 802.11ax HE160(6GHz) : +10dBm minimum</li> </ul>
<b>Power Consumption</b>	<ul style="list-style-type: none"> <li>• Transmit mode : 2.5 W</li> <li>• Receive mode : 2.0 W</li> <li>• Idle mode (PSP) : 180 mW (WLAN Associated)</li> <li>• Idle mode: 50 mW (WLAN unassociated)</li> <li>• Connected Standby/Modern Standby : 10 mW</li> <li>• Radio disabled : 8 mW</li> </ul>
<b>Power Management</b>	ACPI and PCI Express compliant power management
<b>Receiver Sensitivity<sup>4</sup></b>	<ul style="list-style-type: none"> <li>• 802.11b, 1Mbps : -93.5dBm maximum</li> <li>• 802.11b, 11Mbps : -84dBm maximum</li> <li>• 802.11a/g, 6Mbps : -86dBm maximum</li> <li>• 802.11a/g, 54Mbps : -72dBm maximum</li> <li>• 802.11n, MCS07 : -67dBm maximum</li> <li>• 802.11n, MCS15 : -64dBm maximum</li> <li>• 802.11ac, MCS0(VHT80) : -84dBm maximum</li> <li>• 802.11ac, MCS9(VHT80) : -59dBm maximum</li> <li>• 802.11ac, MCS9(VHT160) : -58.5dBm maximum</li> <li>• 802.11ax, MCS11(HE40): -57dBm maximum</li> <li>• 802.11ax, MCS11(HE80): -54dBm maximum</li> <li>• 802.11ax, MCS11(HE160): -53.5dBm maximum</li> </ul>
<b>Antenna type</b>	High efficiency antenna with spatial diversity Two embedded tri-band 2.4/5/6 GHz antennas are provided to the card to support WLAN MIMO communications and Bluetooth communications
<b>Form Factor</b>	PCI-Express M.2 MiniCard
<b>Dimensions</b>	30.00 x 22.00 x 2.30 mm (1.18 x 0.87 x 0.09 inch)
<b>Weight</b>	Type 2230: 2.8 g
<b>Operating Voltage</b>	3.3 v +/- 5 %
<b>HP Integrated Module with Bluetooth® 4.0/4.1/4.2/5.0/5.1/5.2/5.3 Wireless Card Technology</b>	
<b>Bluetooth Specification</b>	4.0/4.1/4.2/5.0/5.1/5.2/5.3 Compliant

### Technical Specifications

<b>Frequency Band</b>	2402 to 2480 MHz
<b>Number of Available Channels</b>	Legacy : 0~79 (1 MHz/CH) BLE : 0~39 (2 MHz/CH)
<b>Signaling Data Rate</b>	Legacy : 3 Mbps data rate; throughput up to 2.17 Mbps BLE : 1 Mbps data rate; throughput up to 0.2 Mbps Legacy : Synchronous Connection Oriented links up to 3, 64 kbps, voice channels Legacy : Asynchronous Connection Less links 2178.1 kbps/177.1 kbps asymmetric (3-DH5) or 864 kbps symmetric (3-EV5)
<b>Transmit Power</b>	The Bluetooth component shall operate as a Class II Bluetooth device with a maximum transmit power of + 4 dBm for BR and EDR.
<b>Power Consumption</b>	Peak (Tx): 330 mW Peak (Rx): 230 mW Selective Suspend: 17 mW
<b>Bluetooth Software Supported</b>	Microsoft Windows Bluetooth Software
<b>Link Topology</b>	
<b>Power Management</b>	Microsoft Windows ACPI, and USB Bus Support
<b>Certifications</b>	FCC (47 CFR) Part 15C/E, Section 15.247, 15.249, 15.407; ETSI 300 328, ETSI 301 893, ETSI 303 687
<b>Power Management Certifications</b>	2Mbps LE Advanced Audio Distribution Profile (A2DP) Bluetooth® 4.1-ESR 5/6/7 Compliance Bluetooth® 4.2 ESR08 Compliance Bluetooth® 5.2 Bluetooth® 5.3 Channel Selection Algo Encryption key size control enhancements ESR9/10 Compliance Hands Free Profile (HFP) LE Advertisement Extensions LE Data Packet Length Extension LE Dual Mode LE L2CAP Connection Oriented Channels LE Link Layer LE Link Layer Ping LE Long Range LE Low Duty Cycle Directed Advertising LE Privacy 1.2 –Extended Scanner Filter Policies LE Privacy 1.2 –Link Layer Privacy LE Secure Connection- Basic/Full Limited High Duty Cycle Non-Connectable Advertising Periodic Advertisement interval Train Nudging & Interlaced Scan Windows BT profiles support
<b>Bluetooth Profiles Supported</b>	Peak (Tx): 330 mW Peak (Rx): 230 mW



### Technical Specifications

Selective Suspend: 17 mW

1. Wi-Fi 6E requires a Wi-Fi 6E router, sold separately, to function in the 6GHz band. Availability of public wireless access points limited. Wi-Fi 6E is backwards compatible with prior 802.11 specs. And available in countries where Wi-Fi 6E is supported. Wi-Fi 6E is designed to support gigabit data rate when transferring files between two devices connected to the same router. Requires a wireless router, sold separately, that supports 80MHz and higher channels.
2. Check latest software/driver release for updates on supported security features.
3. The FCC has declared as of September 1, 2014 products that utilize passive scanning on channel 12/13 and are capable of transmitting must fully comply with requirements of 15.247 or otherwise disable those channels.
4. Receiver sensitivity is measured at a packet error rate of 8% for 802.11b (CCK modulation) and a packet error rate of 10% for 802.11a/g (OFDM modulation).

<p><b>MediaTek RZ616 Wi-Fi 6E Bluetooth®5.3 Wireless Card (802.11ax 2x2, AMD AIM-T)<sup>1</sup></b></p>	<p><b>Wireless LAN Standards</b></p> <ul style="list-style-type: none"> <li>IEEE 802.11a</li> <li>IEEE 802.11ac</li> <li>IEEE 802.11ax</li> <li>IEEE 802.11b</li> <li>IEEE 802.11d</li> <li>IEEE 802.11e</li> <li>IEEE 802.11g</li> <li>IEEE 802.11h</li> <li>IEEE 802.11i</li> <li>IEEE 802.11j</li> <li>IEEE 802.11k</li> <li>IEEE 802.11mc</li> <li>IEEE 802.11n</li> <li>IEEE 802.11r</li> <li>IEEE 802.11v</li> <li>IEEE 802.11w</li> </ul>
<p><b>Interoperability</b></p>	<p>Wi-Fi certified</p>
<p><b>Frequency Band</b></p>	<ul style="list-style-type: none"> <li>• 802.11b/g/n/ax 2.402 – 2.482 GHz</li> <li>• 802.11a/n/ac/ax 5.15 – 5.25 GHz 5.25 – 5.35 GHz 5.47 – 5.725 GHz 5.825 – 5.850 GHz 5.925 – 7.125 GHz</li> </ul>
<p><b>Data Rates</b></p>	<ul style="list-style-type: none"> <li>• 802.11a: 6, 9, 12, 18, 24, 36, 48, 54 Mbps</li> <li>• 802.11ac : MCS0 ~ MCS9, (20MHz, 40MHz, 80MHz, 160MHz)</li> <li>• 802.11ax : MCS0 ~ MCS11, (20MHz, 40MHz, 80MHz, 160MHz)</li> <li>• 802.11b: 1, 2, 5.5, 11 Mbps</li> <li>• 802.11g: 6, 9, 12, 18, 24, 36, 48, 54 Mbps</li> <li>• 802.11n: MCS 0 ~ MCS 15, (20MHz, 40MHz)</li> </ul>
<p><b>Modulation</b></p>	<p>Direct Sequence Spread Spectrum 1024QAM, 16-QAM, 256-QAM, 64-QAM, BPSK, CCK, Direct Sequence Spread Spectrum, OFDM, QPSK</p>
<p><b>Security<sup>2</sup></b></p>	<ul style="list-style-type: none"> <li>• 802.1x authentication</li> <li>• AES-CCMP: 128 bit in hardware</li> </ul>

### Technical Specifications

	<ul style="list-style-type: none"> <li>• IEEE 802.11i</li> <li>• IEEE and WiFi certified 64 / 128 bit WEP encryption for a/b/g mode only</li> <li>• WAPI</li> <li>• WPA, WPA2: 802.1x. WPA-PSK, WPA2-PSK, TKIP, and AES.</li> <li>• WPA2 certification</li> <li>• WPA3 (personal) certification</li> </ul>
<b>Network Architecture</b>	Ad-hoc (Peer to Peer)
<b>Models</b>	Infrastructure (Access Point Required)
<b>Roaming</b>	IEEE 802.11 compliant roaming between access points
<b>Output Power<sup>3</sup></b>	<p>2.4GHz (MIMO, typical):</p> <ul style="list-style-type: none"> <li>• 802.11b : +18dBm</li> <li>• 802.11g : +16.5dBm</li> <li>• 802.11n/ac/ax (HT20/VHT20/HE20) : +16dBm</li> <li>• 802.11n/ac/ax (HT40/VHT40/HE40) : +12.5dBm</li> </ul> <p>5GHz (MIMO, typical):</p> <ul style="list-style-type: none"> <li>• 802.11a : +13dBm</li> <li>• 802.11n/ac/ax (HT20/VHT20/HE20) : +13.5dBm</li> <li>• 802.11n/ac/ax (HT40/VHT40/HE40) : +12.5dBm</li> <li>• 802.11ac/ax (VHT80/HE80) : +11.5dBm</li> <li>• 802.11ax HE160 : +11.5dBm</li> </ul> <p>6GHz LPI mode (MIMO, typical)::</p> <ul style="list-style-type: none"> <li>• 802.11a : 0dBm</li> <li>• 802.11ax HE20 : +1dBm</li> <li>• 802.11ax HE40 : +4dBm</li> <li>• 802.11ax HE80 : +7dBm</li> <li>• 802.11ax HE160 : +7.5dBm</li> </ul>
<b>Power Consumption</b>	<ul style="list-style-type: none"> <li>• Transmit mode: 2.5 W</li> <li>• Receive mode : 2.0 W</li> <li>• Idle mode (PSP) : 180 mW (WLAN Associated)</li> <li>• Idle mode: 50 mW (WLAN unassociated)</li> <li>• Connected Standby/Modern Standby : 10 mW</li> <li>• Radio disabled : 8 Mw</li> </ul>
<b>Power Management</b>	ACPI and PCI Express compliant power management
<b>Receiver Sensitivity<sup>4</sup></b>	<p>2.4GHz (SISO):</p> <ul style="list-style-type: none"> <li>• 802.11b, 11Mbps : -82dBm maximum</li> <li>• 802.11g, 54Mbps : -71dBm maximum</li> <li>• 802.11n, MCS7 : -64dBm maximum</li> <li>• 802.11ac, MCS9 : -52dBm maximum</li> <li>• 802.11ax, MCS11(HT40): -49dBm maximum</li> </ul> <p>5GHz (SISO):</p> <ul style="list-style-type: none"> <li>• 802.11a, 54Mbps : -71dBm maximum</li> <li>• 802.11n, MCS07 : -64dBm maximum</li> <li>• 802.11ac, MCS9 : -52dBm maximum</li> <li>• 802.11ax, MCS11(HE80/HE160): -46dBm maximum</li> </ul>

### Technical Specifications

6GHz (SISO):

- 802.11a, 54Mbps : -71dBm maximum
- 802.11n, MCS7 : -64dBm maximum
- 802.11ac, MCS9 : -52dBm maximum
- 802.11ax, MCS11 (HE160): -46dBm maximum

**Antenna type**

High efficiency antenna with spatial diversity, mounted in the display enclosure

Two embedded dual band 2.4/5/6 GHz antennas are provided to the card to support WLAN MIMO communications and Bluetooth communications

**Form Factor**

PCI-Express M.2 MiniCard

**Dimensions**

30.00 x 22.00 x 2.30 mm (1.18 x 0.87 x 0.09 inch)

**Weight**

Type 2230: 2.8 g

**Operating Voltage**

3.3 v +/- 9 %

**LED Activity**

N/A

**HP Integrated Module with Bluetooth® 4.0/4.1/4.2/5.0/5.1/5.2/5.3 Wireless Card Technology**

**Bluetooth Specification** 4.0/4.1/4.2/5.0/5.1/5.2/5.3 Compliant

**Frequency Band** 2402 to 2480 MHz

**Number of Available Channels** Legacy : 0~79 (1 MHz/CH)  
BLE : 0~39 (2 MHz/CH)

**Signaling Data Rate** Legacy : 3 Mbps data rate; throughput up to 2.17 Mbps  
BLE : 1 Mbps data rate; throughput up to 0.2 Mbps  
Legacy : Synchronous Connection Oriented links up to 3, 64 kbps, voice channels  
Legacy : Asynchronous Connection Less links 2178.1 kbps/177.1 kbps asymmetric (3-DH5) or 864 kbps symmetric (3-EV5)

**Transmit Power** The Bluetooth component shall operate as a Class II Bluetooth device with a maximum transmit power of + 4 dBm for BR and EDR.

**Power Consumption** Peak (Tx): 330 mW  
Peak (Rx): 230 mW  
Selective Suspend: 17 mW

**Bluetooth Software** Microsoft Windows Bluetooth Software

**Supported Link Topology**

**Power Management** Microsoft Windows ACPI, and USB Bus Support

**Certifications** FCC (47 CFR) Part 15C/E, Section 15.247, 15.249, 15.407; ETSI 300 328, ETSI 301 893, ETSI 303 687

**Power Management Certifications** 2Mbps LE  
Advanced Audio Distribution Profile (A2DP)  
Basic Imaging Profile (BIP)  
Bluetooth® 4.1-ESR 5/6/7 Compliance  
Bluetooth® 4.2 ESR08 Compliance  
Bluetooth® 5.2  
Bluetooth® 5.3  
Channel Selection Algo  
Encryption key size control enhancements  
ESR9/10 Compliance

### Technical Specifications

FAX Profile (FAX)  
Hands Free Profile (HFP)  
Headset Profile (HSP)  
LE Advertisement Extensions  
LE Data Packet Length Extension  
LE Dual Mode  
LE L2CAP Connection Oriented Channels  
LE Link Layer  
LE Link Layer Ping  
LE Long Range  
LE Low Duty Cycle Directed Advertising  
LE Privacy 1.2 –Extended Scanner Filter Policies  
LE Privacy 1.2 –Link Layer Privacy  
LE Secure Connection- Basic/Full  
Limited High Duty Cycle Non-Connectable Advertising  
Periodic Advertisement interval  
Train Nudging & Interlaced Scan  
Windows BT profiles support  
4.0/4.1/4.2/5.0/5.1/5.2/5.3 Compliant

**Bluetooth Software  
Supported**

1. Wi-Fi 6E requires a Wi-Fi 6E router, sold separately, to function in the 6GHz band. Availability of public wireless access points limited. Wi-Fi 6E is backwards compatible with prior 802.11 specs. And available in countries where Wi-Fi 6E is supported. Wi-Fi 6E is designed to support gigabit data rate when transferring files between two devices connected to the same router. Requires a wireless router, sold separately, that supports 80MHz and higher channels.
2. Check latest software/driver release for updates on supported security features.
3. The FCC has declared as of September 1, 2014 products that utilize passive scanning on channel 12/13 and are capable of transmitting must fully comply with requirements of 15.247 or otherwise disable those channels.
4. Receiver sensitivity is measured at a packet error rate of 8% for 802.11b (CKK modulation) and a packet error rate of 10% for 802.11a/g (OFDM modulation).

### Technical Specifications

**HP 4G LTE-A Pro Cat16  
WWAN eSIM<sup>1</sup>**

**Technology/Operating  
bands**

WCDMA/HSPA+ operating bands:

Band 1: 1920 to 1980 MHz (UL), 2110 to 2170 MHz (DL)

Band 2: 1850 to 1910 MHz (UL), 1930 to 1990 MHz (DL)

Band 4: 1710 to 1755 MHz (UL), 2110 to 2155 MHz (DL)

Band 5: 824 to 849 MHz (UL), 869 to 894 MHz (DL)

Band 8: 880 to 915 MHz (UL), 925 to 960 MHz (DL)

LTE FDD/TDD operating bands:

Band 1: 1920 to 1980 MHz (UL), 2110 to 2170 MHz (DL)

Band 12: 699 to 716 MHz (UL), 729 to 746 MHz (DL)

Band 13: 777 to 787 MHz (UL), 746 to 756 MHz (DL)

Band 14: 788 to 798 MHz (UL), 758 to 768 MHz (DL)

Band 17: 704 to 716 MHz (UL), 734 to 746 MHz (DL)

Band 18: 815 to 830 MHz (UL), 860 to 875 MHz (DL)

Band 19: 830 to 845 MHz (UL), 875 to 890 MHz (DL)

Band 2: 1850 to 1910 MHz (UL), 1930 to 1990 MHz (DL)

Band 20: 832 to 862 MHz (UL), 791 to 821 MHz (DL)

Band 25: 1850 to 1915 MHz (UL), 1930 to 1995 MHz (DL)

Band 26: 814 to 849 MHz (UL), 859 to 894 MHz (DL)

Band 28: 703 to 748 MHz (UL), 758 to 803 MHz (DL)

Band 29: 717 to 728 MHz (DL)

Band 3: 1710 to 1785 MHz (UL), 1805 to 1880 MHz (DL)

Band 30: 2305 to 2315 MHz (UL) 2350 to 2360 MHz (DL)

Band 32: 1452 to 1496 MHz (DL)

Band 34: 2010 to 2025 MHz (UL/DL)

Band 38: 2570 to 2620 MHz (UL/DL)

Band 39: 1880 to 1920 MHz (UL/DL)

Band 4: 1710 to 1755 MHz (UL), 2110 to 2155 MHz (DL)

Band 40: 2300 to 2400 MHz (UL/DL)

Band 41: 2496 to 2690 MHz (UL/DL)

Band 42: 3400 to 3600 MHz (UL/DL)

Band 43: 3400 to 3800 MHz (UL/DL)

Band 48: 3550 to 3700 MHz (UL/DL)

Band 5: 824 to 849 MHz (UL), 869 to 894 MHz (DL)

Band 66: 1710 to 1800 MHz (UL), 2110 to 2200 MHz (DL)

Band 7: 2500 to 2570 MHz (UL), 2620 to 2690 MHz (DL)

Band 71: 663 to 698 MHz (UL), 617 to 652 MHz (DL)

Band 8: 880 to 915 MHz (UL), 925 to 960 MHz (DL)

**Wireless protocol  
standards**

3GPP LTE Rel15

LTE Specification, 100MHz 5 DLCA, 256 QAM, DL 1.0Gbps (CAT16)/  
40MHz 2 ULCA, 256 QAM, UL 211Mbps (CAT18)

WCDMA 3GPP Release 8 UMTS Specification, DL UMTS: 384 kbps/UL 384  
kbps, DL DC-HSPA+: 42 Mbps (CAT24)/UL 11.5 Mbps (CAT7)

WCDMA R99,

3GPP Release 5, 6, 7 and 8 UMTS Specification

**GPS**

Standalone/A-GPS (MS-A, MS-B)

**GPS bands**

GPS L1 (1575.42MHz), GLONASS L1 (1602MHz), Beidou B1  
(1561.098MHz), Galileo E1 (1575.42MHz), QZSS (1575.42MHz)

**Maximum data rates**

DC-HSPA+: 42.00 Mbps (Download), 11.50 Mbps (Upload)

### Technical Specifications

<b>Maximum output power</b>	HSPA+: 23.5 dBm LTE (all bands except B41): 23.0 dBm
<b>Maximum power consumption</b>	LTE: 1,300 mA (peak); 1,100 mA (average) HSPA+: 1,100 mA (peak); 800 mA (average)
<b>Form Factor</b>	M.2; 3052-S3 Key B
<b>Weight</b>	8.0 g (0.282 oz)
<b>Dimensions (Length x Width x Thickness)</b>	52.00 x 30.00 x 2.30 mm (2.05 x 1.18 x 0.09 inch)
<b>eSIM</b>	Yes

1. Mobile Broadband is an optional feature. Connection requires wireless data service contract, network support, and is not available in all areas. Contact service provider to determine the coverage area and availability. Connection speeds will vary due to location, environment, network conditions, and other factors. 4G LTE not available on all products or in all countries.

<b>Realtek RTL8111HSH 10/100/1000 Integrated NIC</b>	<b>Connector</b>	RJ-45
	<b>System Interface</b>	PCIe + SMBus
	<b>Data rates supported</b>	10 Mbit/s operation (10BASE-T; IEEE 802.3i; IEEE 802.3 clauses 13-14)
		100 Mbit/s operation (100BASE-TX; IEEE 802.3u; IEEE 802.3 clauses 21-30)
		1000 Mbit/s operation (1000BASE-T; IEEE 802.3ab; IEEE 8023 clauses 40)
	<b>IEEE Compliance</b>	Auto-Negotiation (Automatic Speed Selection)
		Full Duplex Operation at all Speeds, Half Duplex operation at 10 and 100 Mbit/s
		IEEE 802.1p QoS (Quality of Service) Support
		IEEE 802.1q VLAN support
	<b>Performance</b>	IEEE 802.3x Flow Control (IEEE 802.3 clauses 31-32; configurable)
IEEE 802.3az EEE (Energy Efficient Ethernet)		
TCP/IP/UDP Checksum Offload (configurable)		
Protocol Offload (ARP & NS)		
<b>Power consumption</b>	Large send offload and Giant send offload	
	Receiving Side Scaling	
	Jumbo Frame 9K	
	Cable Disconnection: 25mW	
<b>Power Management</b>	100Mbps Full Run: 450mW	
	1000bp Full Run: 1000mW	
	WoL Enable(S3/S4/S5): 50mW	
	WoL Disable(S3/S4/S5): 25mW	
<b>Management Interface</b>	ACPI compliant – multiple power modes	
	Situation-sensitive features reduce power consumption	
	Advanced link down power saving for reducing link down power consumption	
	Auto MDI/MDIX Crossover cable detection	

### Technical Specifications

#### POWER

1. Actual battery Watt-hours (Wh) will vary from design capacity. Battery capacity will naturally decrease with shelf life, time, usage, environment, temperature, system configuration, loaded apps, features, power management settings and other factors

<b>AC Adapter 45 Watt nPFC</b>	<b>Weight</b>	180g(+/-10g)
<b>Standard USB type C</b>	<b>Input</b>	100~240VAC
<b>Straight 1.8m</b>	<b>Input Efficiency</b>	81.50% min at 115 Vac/ 230 Vac @5.00V 86.70% min at 115 Vac/ 230 Vac @9.00V 87.40% min at 115 Vac/ 230 Vac @12.00V 87.80% min at 115 Vac/ 230 Vac @15.00V
	<b>Input frequency range</b>	47 ~ 63Hz
	<b>Input AC current</b>	Max. 1.4 A at 90 Vac
<b>Output</b>	<b>Output power</b>	5V/15W 9V/27W 12V/36W 15V/45W
	<b>DC output</b>	5V/9V/12V/15V
	<b>Hold-up time</b>	100% load 5ms at 115 Vac input
	<b>Output current limit</b>	<5.0A
	<b>AC Inlet Type</b>	C6
	<b>DC Cable Connector</b>	USB Type-C
	<b>DC Cable Material</b>	PVC
<b>Connector</b>		C6
<b>Environmental Design</b>	<b>Operating temperature</b>	32°F to 95°F (0to 35oC)
	<b>Non-operating (storage) temperature</b>	-4°F to 185°F (-20to 85oC)
	<b>Altitude</b>	0 to 16,400 ft (0 to 5000m)
	<b>Humidity</b>	20% to 95%
	<b>Storage Humidity</b>	10% to 95%
<b>EMI and Safety Certifications</b>		CE Mark - full compliance with LVD and EMC directives Worldwide safety standards - IEC60950-1 and IEC62368-1 : 2018, EN62368-1:2014+A11, UL62368-1 Agency approvals - C-UL-US, TUV/GS, TUV/PSE, EN55032 Class B, FCC Class B, CISPR32 Class B, CCC and CECP, CU(EAC), EAEU, KCC(Safety+EMC) and K-MEPS, NOM-001 and 029 NYCE, NRcan, NRCS, ISC, SEC, PSB, Argentina S-mark, Australia RCM, BIS, BSMI, UAE, UKCA DoC, USB-IF, Ukraine(CoC+DoC+RoHS+ECO)

### Technical Specifications

<b>AC Adapter 65 Watt nPFC Standard USB type C Straight 1.8m</b>	<b>Weight</b>	240g ± 10g	
	<b>Input</b>	100-240Vac	
	<b>Output</b>	<b>Input Efficiency</b>	81.50% min at 115 Vac/ 230 Vac @5.00V 86.70% min at 115 Vac/ 230 Vac @9.00V 88.00% min at 115 Vac/ 230 Vac @12.00V 89.00% min at 115 Vac/ 230 Vac @15.00V 89.00% min at 115 Vac/ 230 Vac @20.00V
		<b>Input frequency range</b>	47-63Hz
		<b>Input AC current</b>	Max. 1.6 A at 90 Vac
		<b>Output power</b>	5V/15W 9V/27W 12V/60W 15V/65W 20V/65W
		<b>DC output</b>	5V/9V/12V/15V/20V
	<b>Connector</b>	<b>Hold-up time</b>	100% load 5ms at 115 Vac input
		<b>Output current limit</b>	< 8.0A
		<b>AC Inlet Type</b>	C6
<b>DC Cable Connector</b>		USB type C	
<b>DC Cable Material</b>		PVC	
<b>Environmental Design</b>	<b>Connector</b>	C6	
	<b>Operating temperature</b>	32°F to 95°F (0to 35oC)	
	<b>Non-operating (storage) temperature</b>	-4oF to 185oF (-20oto 85oC)	
	<b>Altitude</b>	0 to 16,400 ft (0 to 5000m)	
	<b>Humidity</b>	20% to 95%	
<b>EMI and Safety Certifications</b>	<b>Storage Humidity</b>	10% to 95%	
	CE Mark - full compliance with LVD and EMC directives Worldwide safety standards - IEC60950-1 and IEC62368-1 : 2018, EN62368-1:2014+A11, UL 62368-1 Agency approvals - C-UL-US, TUV/GS, TUV/PSE, EN55032 Class B, FCC Class B, CISPR32 Class B, CCC and CECP, CU(EAC), EAEU, KCC(Safety+EMC) and K-MEPS, NOM-001 and 029 NYCE, NRcan, NRCS, ISC, SEC, PSB, Argentina S-mark, Australia RCM, BIS, BSMI, UAE, UKCA DoC		



### Technical Specifications

<b>HP 65W Standard USB-C Straight AC Power Adapter Ceto HF</b>	<b>Weight</b>	240g ± 10g	
	<b>Input</b>	100-240Vac	
	<b>Output</b>	<b>Input Efficiency</b>	81.50% min at 115 Vac/ 230 Vac @5.00V 86.70% min at 115 Vac/ 230 Vac @9.00V 88.00% min at 115 Vac/ 230 Vac @12.00V 89.00% min at 115 Vac/ 230 Vac @15.00V 89.00% min at 115 Vac/ 230 Vac @20.00V
		<b>Input frequency range</b>	47-63Hz
		<b>Input AC current</b>	Max. 1.6 A at 90 Vac
		<b>Output power</b>	5V/15W 9V/27W 12V/60W 15V/65W 20V/65W
		<b>DC output</b>	5V/9V/12V/15V/20V
		<b>Hold-up time</b>	100% load 5ms at 115 Vac input
	<b>Output current limit</b>	< 8.0A	
	<b>Connector</b>	<b>AC Inlet Type</b>	C6
<b>DC Cable Connector</b>		USB type C	
<b>Environmental Design</b>	<b>DC Cable Material</b>	Halogen Free	
	<b>Connector</b>	C6	
	<b>Operating temperature</b>	32°F to 95°F (0to 35oC)	
	<b>Non-operating (storage) temperature</b>	-4°F to 185°F (-20oto 85oC)	
	<b>Altitude</b>	0 to 16,400 ft (0 to 5000m)	
	<b>Humidity</b>	20% to 95%	
	<b>Storage Humidity</b>	10% to 95%	
<b>EMI and Safety Certifications</b>	CE Mark - full compliance with LVD and EMC directives Worldwide safety standards - IEC60950-1 and IEC62368-1 : 2018, EN62368-1:2014+A11, UL 62368-1 Agency approvals - C-UL-US, TUV/GS, TUV/PSE, EN55032 Class B, FCC Class B, CISPR32 Class B, CCC and CECP, CU(EAC), EAEU, KCC(Safety+EMC) and K-MEPS, NOM-001 and 029 NYCE, NRcan, NRCS, ISC, SEC, PSB, Argentina S-mark, Australia RCM, BIS, BSMI, UAE, UKCA DoC		

### Technical Specifications

<b>RX 48Whr Long Life Polymer Fast Charge 3 cell Battery</b>	<b>Weight</b>	0.192kg +/- 10g (0.423 lb)	
	<b>Cells/Type</b>	3cell Lithium-Ion Polymer cell / NCM 565875	
	<b>Energy</b>	<b>Voltage</b>	11.4V
		<b>Amp-hour capacity</b>	4.285Ah
		<b>Watt-hour capacity<sup>1</sup></b>	48.84Wh
	<b>Temperature</b>	<b>Operating (Charging)</b>	32° to 113° F (0° to 45° C) (Charge Initial Temperature) 32° to 122° F ( 0° to 50° C ) (Continuous Charging)
		<b>Operating (Discharging)</b>	14° to 140° F (-10° to 60° C)
		<b>Optional Travel Battery Available</b>	No

<b>RX 56Whr Long Life Polymer Fast Charge 3 cell Battery</b>	<b>Weight</b>	0.208kg +/- 10g (0.459 lb)	
	<b>Cells/Type</b>	3cell Lithium-Ion Polymer cell / 586075	
	<b>Energy</b>	<b>Voltage</b>	11.58V
		<b>Amp-hour capacity</b>	4.840Ah
		<b>Watt-hour capacity<sup>1</sup></b>	56.04Wh
	<b>Temperature</b>	<b>Operating (Charging)</b>	32° to 113° F (0° to 45° C) (Charge Initial Temperature) 32° to 122° F ( 0° to 50° C ) (Continuous Charging)
		<b>Operating (Discharging)</b>	14° to 140° F (-10° to 60° C)
		<b>Optional Travel Battery Available</b>	No

### Technical Specifications

#### AUDIO

<b>Codec</b>	ALC3247
<b>Audio I/O Ports</b>	3.5mm Headset: CTIA only; Headphone-out
<b>Multi-streaming Capable</b>	Playback multi-streaming can be enabled in the audio control panel to allow independent audio streams to be sent to/from the front jacks or integrated speaker., Following MSFT Behavior
<b>Sampling</b>	DAC: Supports resolutions from 16-bit to 16-bit;48.0 kHz to 48.0 kHz ADC: Supports resolutions from 16-bit to 16-bit;48.0 kHz to 48.0 kHz
<b>Wavetable Syntheses</b>	Yes - Uses OS soft wavetable
<b>Internal Speaker</b>	Yes

#### FINGERPRINT READER

<b>Sensor vendor</b>	ELAN
<b>Sensor type</b>	Capacitive
<b>DPI resolution</b>	508 DPI
<b>Scan area</b>	80 x 80 pixels
<b>False Rejection Rate</b>	< 3%
<b>False Acceptance Rate</b>	< 0.001%
<b>Mobile Voltage Operation</b>	2.7 V ~ 3.6 V
<b>Operating Temperature</b>	-20°C ~ 80°C (-4°F ~ 176°F)
<b>Current Consumption</b>	35 mA max
<b>Image</b>	
<b>Low Latency Wait For Finger</b>	300 uA
<b>Capture Rate</b>	50 frames/sec
<b>ESD Resistance</b>	IEC 61000-4-2 4B (+15KV)
<b>Detection Matrix</b>	508 dpi / 4.0 x 4.0 mm sensor area

<b>Sensor vendor</b>	SYNAPTICS
<b>Sensor type</b>	Capacitive
<b>DPI resolution</b>	363 DPI
<b>Scan area</b>	104 x 86 pixels
<b>False Rejection Rate</b>	< 3%
<b>False Acceptance Rate</b>	< 0.001%
<b>Mobile Voltage Operation</b>	2.7 V ~ 3.6 V
<b>Operating Temperature</b>	0°C ~ 60°C (32°F ~ 140°F)
<b>Current Consumption</b>	100 mA max
<b>Image</b>	
<b>Low Latency Wait For Finger</b>	260 uA
<b>Capture Rate</b>	50 frames/sec
<b>ESD Resistance</b>	IEC 61000-4-2 4B (+15KV)
<b>Detection Matrix</b>	363 dpi / 7.4 x 6.0 mm sensor area

### Options and Accessories (Sold separately and availability may vary by country)

#### DOCKING (Sold Separately)

<p><b>Docking station model #1</b></p> <p><b>Total number of supported displays (incl. the notebook display)</b></p> <p><b>Max. resolutions supported</b></p> <p><b>Dock Connectors</b></p> <p><b>Technical limitations</b></p>	<p>HP USB-C Dock G5</p> <p>3</p> <p>Multi-Function Mode: (2) 5k @ 30Hz and (1) 4k UHD @ 30Hz on any port. High-Resolution Mode: (2) 5k @ 60Hz on DisplayPort ports and (1) 4k UHD @ 60Hz on HDMI port.</p> <p><b>Maximum resolution and display support is dependent on the maximum capability of the notebook.</b></p> <p><b>Highest resolution with dual displays is two 8K@ 60Hz host in High Resolution mode.</b></p> <p>Three maximum displays supported are two 5K@ 30 Hz on DP ports plus one 4K UHD@ 30 Hz on HDMI in Multi-function mode. The highest resolution for a non-Thunderbolt host in Multi-function mode is a single 5K dual cable (using both DP ports) + (1) 4K on HDMI port.</p>
<p><b>Docking station model #2</b></p> <p><b>Total number of supported displays (incl. the notebook display)</b></p> <p><b>Max. resolutions supported</b></p> <p><b>Dock Connectors</b></p> <p><b>Technical limitations</b></p>	<p>HP Thunderbolt™ 120W G4 Dock</p> <p>4</p> <p>Quad 4K @60Hz. Dual 8K single cable@30 for Thunderbolt hosts or USB-C hosts DisplayPort 1.4 with Display Stream Compression in High-Resolution Mode. 2 x HDMI 2.0, 1 x USB-C Alt Mode, 1 x Thunderbolt 4, 2 x DisplayPort 1.4</p> <p><b>Maximum resolution and display support is dependent on the maximum capability of the notebook.</b></p> <p>Thunderbolt Hosts: Maximum of (4) displays with maximum resolution of 5K@ 30Hz running Thunderbolt host. Maximum resolution possible is dual 8K displays @ 60Hz running Thunderbolt host or running a non-Thunderbolt host in high resolution mode @30Hz. Non-Thunderbolt hosts: <b>The highest resolution for dual displays running a non-Thunderbolt host in multi-function mode is</b> (1) 5K dual cable (using both DP ports) +(1) 4K on USB-C DP port. Non-Thunderbolt hosts support (3) displays with a maximum resolution of (2) 5K single cable + (1) 4K UHD @ 60 Hz in high resolution mode. In multi-function mode the maximum resolution for (3) displays is (2) 5K single cable @ 30Hz + (1) 4K UHD @ 30Hz.</p>

### Options and Accessories (Sold separately and availability may vary by country)

Type	Description	Part Number	
<b>Adapter</b>	HP HDMI to VGA Adapter	H4F02AA	
	HP USB 3.0 to Gigabit RJ45 Adapter G2	4Z7Z7AA	
	HP USB-C to DisplayPort Adapter	6M148AA	
	HP USB-C to DisplayPort Adapter G2	8Y8Y1AA, 8Y8Y2AA	
	HP USB-C to HDMI 2.0 Adapter	1WC36AA	
	HP USB-C to RJ45 Adapter G2	4Z527AA	
	HP USB-C to USB 3.0 Adapter	N2Z63AA	
	HP USB-C to VGA Adapter	N9K76AA	
<b>Cases</b>	HP 115 15.6 Laptop Backpack	8DV45AA	
	HP 215 15.6 Laptop Backpack	35L98AA	
	HP 225 15.6 Laptop Backpack	2P7U6AA	
	HP 235 15.6 Laptop Backpack	35M00AA	
	HP 315 15.6 Laptop Backpack	35L97AA	
	HP Campus blue Backpack	7K0E5AA	
	HP Campus green Backpack	7K0E4AA	
	HP Campus XL Marble Stone Backpack	7K0E2AA	
	HP Campus XL Tie Dye Backpack	7K0E3AA	
	HP Prelude 15.6 Backpack	1E7D6AA, 50P32AA	
	HP Prelude 15.6 Backpack (Bulk Qty.15)	1E7D6A6	
	HP Prelude 15.6 Top Load	1E7D7AA, 50P31AA	
	HP Prelude 15.6 Top Load (Bulk Qty.20)	1E7D7A6	
	HP Prelude Pro Recycled 15.6 Backpack	1X644AA	
	HP Prelude Pro Recycled 15.6 Backpack (Bulk Qty.12)	1X644A6	
	HP Prelude Pro Recycled 15.6 Top Load	1X645AA	
	HP Prelude Pro Recycled 15.6 Top Load (Bulk Qty.12)	1X645A6	
	HP Renew Business 15.6 Laptop Bag	3E5F8AA	
	HP Renew Business 15.6 Laptop Bag (Bulk Qty.12)	3E5F8A6	
	HP Renew Business 17.3 Laptop Backpack	3E2U5AA	
	HP Renew Business 17.3 Laptop Backpack (Bulk Qty. 6)	3E2U5A6	
	HP Renew Business 17.3 Laptop Bag	3E2U6AA	
	HP Renew Executive 16 Laptop Backpack	6B8Y1AA	
	HP Renew Executive 16 Laptop Bag	6B8Y2AA	
	HP Travel 25 Liter 15.6 Iron Gray Laptop Backpack	6H2D8AA	
	HP Travel 18 Liter 15.6 Iron Gray Laptop Backpack	6H2D9AA	
	<b>Commodity</b>	HP USB DVD-Writer External ODD	F2B56AA
		HP Combination Nano Cable Lock	63B28AA
HP Essential Combination Nano Cable Lock		63B31AA	
HP Nano Keyed Cable Lock		1AJ39AA	
HP Nano Master Keyed Cable Lock		1AJ40AA	
HP SureKey Standard/Nano/Wedge Cable Lock		6UW42AA	

### Options and Accessories (Sold separately and availability may vary by country)

<b>Docking</b>	HP Thunderbolt™ 120W G4 Dock	4J0A2AA
	HP Thunderbolt™ 280W G4 Dock w/Combo Cable	
	HP USB-C™ 120W G5 Dock	5TW10AA
	HP USB-C™ G5 Essential Dock	
	HP USB-C™/A 120W G2 Universal Dock	
	HP USB-C™/A 120W Universal Dock	
<b>Hub</b>	HP USB-C™ G2 Travel Dock	7PJ38AA
	HP 4K USB-C Multiport Hub	6G843AA
	HP Universal USB-C Hub and Laptop Charger Combo	9H0H9AA
	HP Universal USB-C Multiport Hub	50H55AA
	HP USB-C to USB-A Hub	Z6A00AA
	HP USB-C Travel Hub G3	86S97AA
<b>Keyboard/Combo</b>	HP 155 Wired Mouse and Keyboard Combo	5B8C0AA
	HP 225 Wired Mouse and Keyboard Combo	286J4AA
	HP 235 Wireless Mouse and Keyboard Combo	1Y4D0AA
	HP Wired Desktop 320MK Mouse and Keyboard	9SR36AA
	HP 125 Wired Keyboard	266C9AA
	HP 225 Wireless Keyboard	805T1AA
	HP 320K USB Wired Keyboard	9SR37AA
	HP 355 Compact Multi-Device Keyboard	692S9AA
	HP 405 Multi-Device Backlit Wired Keyboard	7N7C1AA
	HP 435 Programmable Wireless Keypad	7N7C3AA
	HP 455 Programmable Wireless Keyboard	4R177AA
	HP 475 Dual-Mode Wireless Keyboard	7N7B9AA
<b>Mouse</b>	HP 125 Wired Mouse	265A9AA
	HP 125 Wired Mouse (Bulk Qty.120)	265A9A6
	HP 128 Laser Wired Mouse	265D9AA
	HP 128 Laser Wired Mouse (Bulk Qty.120)	265D9A6
	HP 155 Wired Mouse	5B8B7AA
	HP 235 Slim Wireless Mouse	4E407AA
	HP 320M Wired Mouse	9VA80AA
	HP 425 Programmable Wireless Mouse	7M1D5AA
	HP 435 Multi-Device Wireless Mouse	3B4Q5AA
	HP 715 Rechargeable Multi-Device Bluetooth Mouse	6E6F0AA
	HP 925 Ergonomic Vertical Wireless Mouse	6H1A5AA
	HP Creator Black 935 Wireless Mouse	1DOK8AA
	HP Multi-Device Black 635 Wireless Mouse	1DOK2AA
	HP Premium Wireless Mouse	1JR31AA
HP Travel Bluetooth Mouse		
<b>Power</b>	HP 110W USB-C Laptop Charger	8B3Y2AA

### Options and Accessories (Sold separately and availability may vary by country)

	HP 45W LC USB-C AC power adapter	1MZ01AA
	HP 65W GaN USB-C Laptop Charger	600Q8AA
	HP 65W USB-C Laptop Charger	671R3AA
	HP 65W USB-C LC AC Power Adapter	1P3K6AA
<b>Video</b>	HP USB-A 325 Webcam	53X27AA
	HP Streaming 965 Webcam	695J5AA
	HP 625 Webcam	6Y7L1AA
	HP 435 Webcam	77B10AA

---

### Change Log

<b>Date of change:</b>	<b>Version History:</b>		<b>Description of change:</b>
April 25, 2024	V1 to V2	Updated	Weight Section
May 20, 2024	V2 to V3	Updated	Environmental Section
June 11, 2024	V3 to V4	Added	System unit Section
June 17, 2024	V4 to V5	Added	Graphics Section
July 15, 2024	V5 to V6	Updated	Weight and Dimensions Section

© Copyright 2024 HP Development Company, L.P. The information contained herein is subject to change without notice. The only warranties for HP products and services are set forth in the express warranty statements accompanying such products and services. Nothing herein should be construed as constituting an additional warranty. HP shall not be liable for technical or editorial errors or omissions contained herein.

AMD and Radeon are trademarks of Advanced Micro Devices, Inc. Bluetooth is a trademark owned by its proprietor and used by HP Inc. under license. DisplayPort™ and the DisplayPort™ logo are trademarks owned by the Video Electronics Standards Association (VESA®) in the United States and other countries. USB Type-C® and USB-C® are registered trademarks of USB Implementers Forum. SDXC is a registered trademark of SD-3C in the United States, other countries, or both. ENERGY STAR is a registered trademark of the U.S. Environmental Protection Agency.